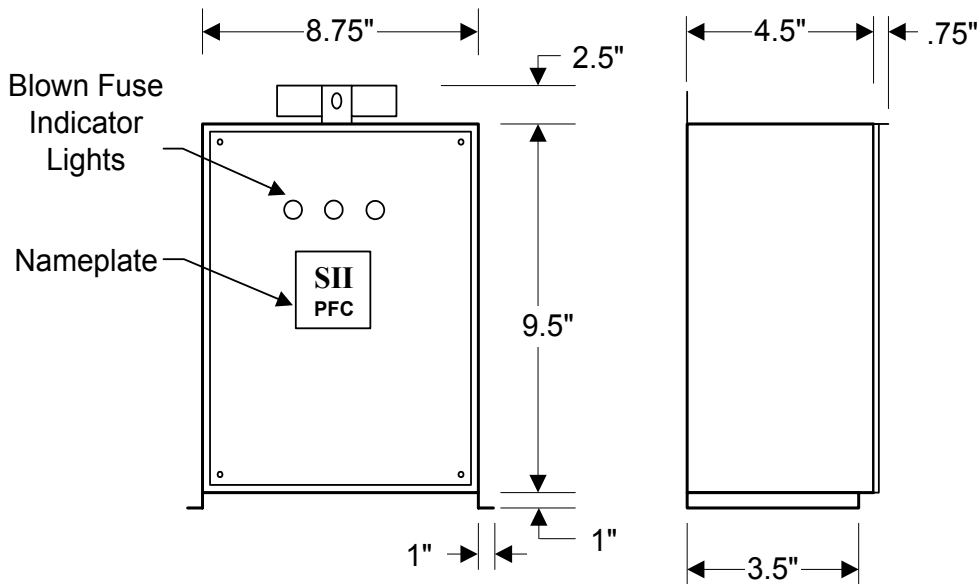
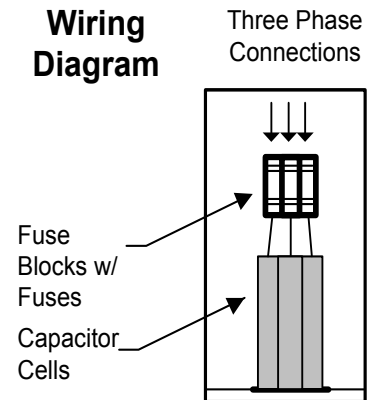


# STEELMAN POWER CAPACITORS SPECIFICATION SHEET



## Internal Wiring Diagram



## MODEL M001.5-480-FPL

1.5 KVAR 480 VOLT Fused with pilot lights

Three Phase 60 Hz NEMA 3R Enclosure

Rated Current: 1.8 amps

Recommended Wire Size: 14

APPROX. WEIGHT 11 LBS. EACH

### OPTIONS:

- \*Pigtail- 5' electrical cord ready for connection
- \*Built-In Contactor

**Life Expectancy:** 20 years

**Temperature:** -40°C to +50°C

**Discharge Resistors:** Included, will reduce residual voltage to less than 50 volts in one minute after removal from service.

**Pressure Sensitive Interrupter in each capacitor cell.**

**Self Clearing Design**

Enclosures are rated NEMA 3R, Outdoor/Indoor.  
Provisions for wall, pole, or floor mounting are included.

**TWO YEAR LIMITED WARRANTY!**



STEELMAN INDUSTRIES, INC.

2800 HWY. 135 N P.O. BOX 1461 KILGORE, TEXAS 75662

PHONE: (903) 984-3061 FAX: (903) 984-1384