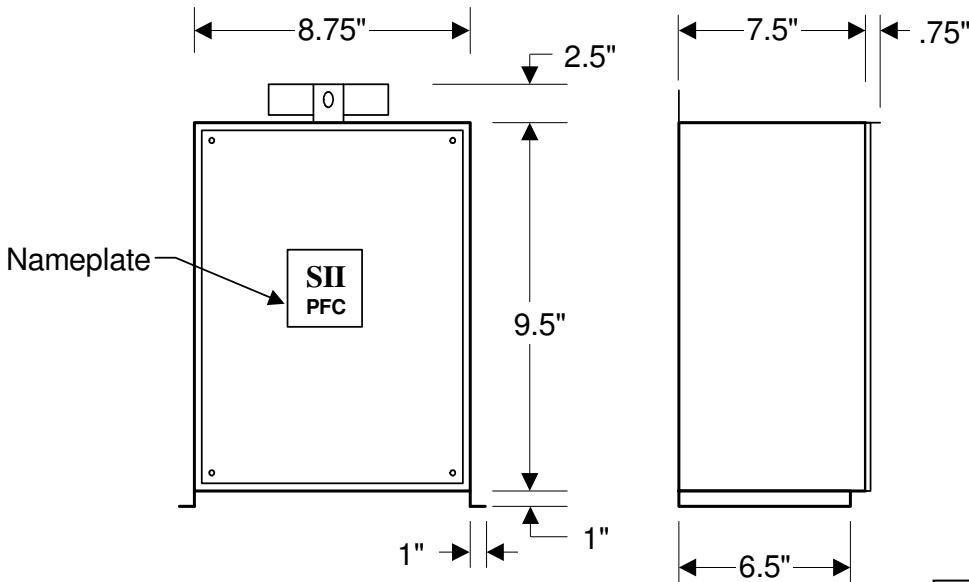
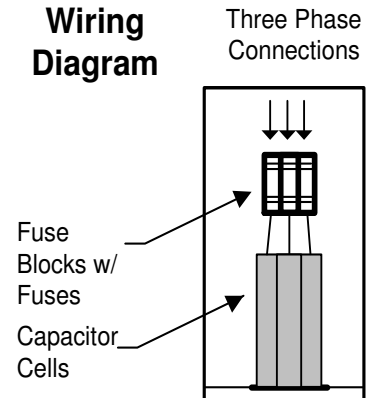


# STEELMAN POWER CAPACITORS SPECIFICATION SHEET



### Internal Wiring Diagram



**MODEL M002.5-240-F**  
**2.5 KVAR 240 VOLT Fused**  
**Three Phase 60 Hz NEMA 3R Enclosure**  
**Rated Current: 6.0 Amps**  
**Recommended Wire Size: 14 AWG**  
**APPROX. WEIGHT 15 LBS. EACH**

**Life Expectancy:** 20 years  
**Temperature:** -40°C to +50°C  
**Discharge Resistors:** Included, will reduce residual voltage to less than 50 volts in one minute after removal from service.  
**Pressure Sensitive Interrupter in each capacitor cell.**

**Self Clearing Design**

### OPTIONS:

- \*Pigtail- 5' electrical cord ready for connection
- \*Built-In Contactor

Enclosures are rated NEMA 3R, Outdoor/Indoor.  
 Provisions for wall, pole, or floor mounting are included.

### STEELMAN ADVANTAGE OPTION

480Volt, 70°C rated capacitors

**ENHANCES CAPACITOR  
LIFE & PERFORMANCE  
CHARACTERISTICS**

**TWO YEAR LIMITED WARRANTY!**



**STEELMAN INDUSTRIES, INC.**

2800 HWY. 135 N      P.O. BOX 1461      KILGORE, TEXAS 75662  
 PHONE: (903) 984-3061      FAX: (903) 984-1384