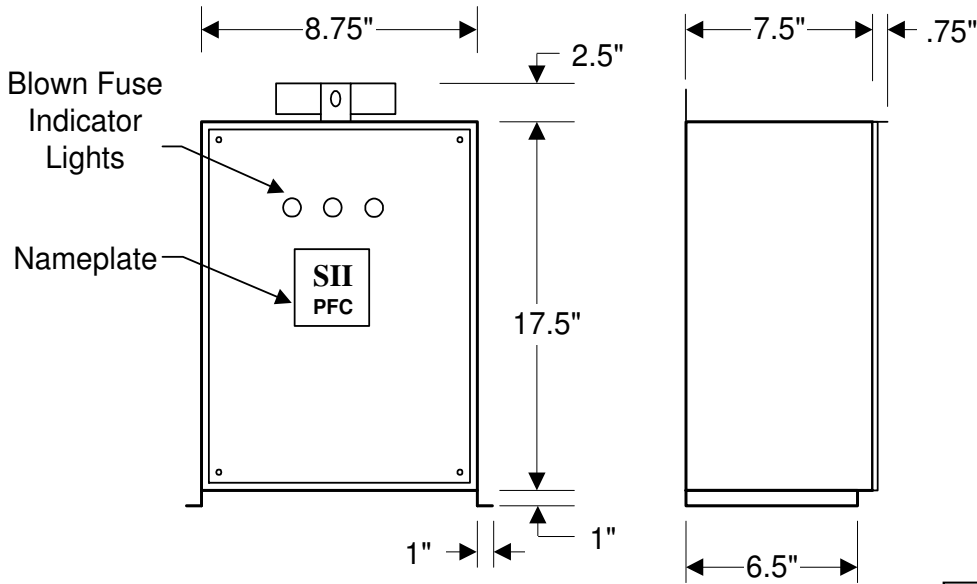
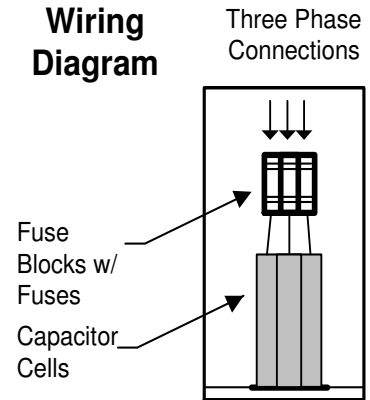


STEELMAN POWER CAPACITORS SPECIFICATION SHEET



Internal Wiring Diagram



MODEL M019.0-480-FPL
19 KVAR 480 VOLT Fused W/Pilot Lights
Three Phase 60 Hz NEMA 3R Enclosure
Rated Current: 22.9 Amps
Recommended Wire Size: 8 AWG
APPROX. WEIGHT 25 LBS. EACH

Life Expectancy: 20 years
Temperature: -40°C to +50°C
Discharge Resistors: Included, will reduce residual voltage to less than 50 volts in one minute after removal from service.
Pressure Sensitive Interrupter in each capacitor cell.

Self Clearing Design

OPTIONS:

- ◆ Pigtail- 5' electrical cord ready for connection (up to 25KVAR)
- ◆ Built-In Contactor
- ◆ 3rd Leg Fusing

Enclosures are rated NEMA 3R, Outdoor/Indoor.
 Provisions for wall, pole, or floor mounting are included.

STEELMAN ADVANTAGE OPTION

600Volt, 70°C rated capacitors

ENHANCES CAPACITOR
 LIFE & PERFORMANCE
 CHARACTERISTICS

TWO YEAR LIMITED WARRANTY!



STEELMAN INDUSTRIES, INC.

2800 HWY. 135 N P.O. BOX 1461 KILGORE, TEXAS 75662
 PHONE: (903) 984-3061 FAX: (903) 984-1384