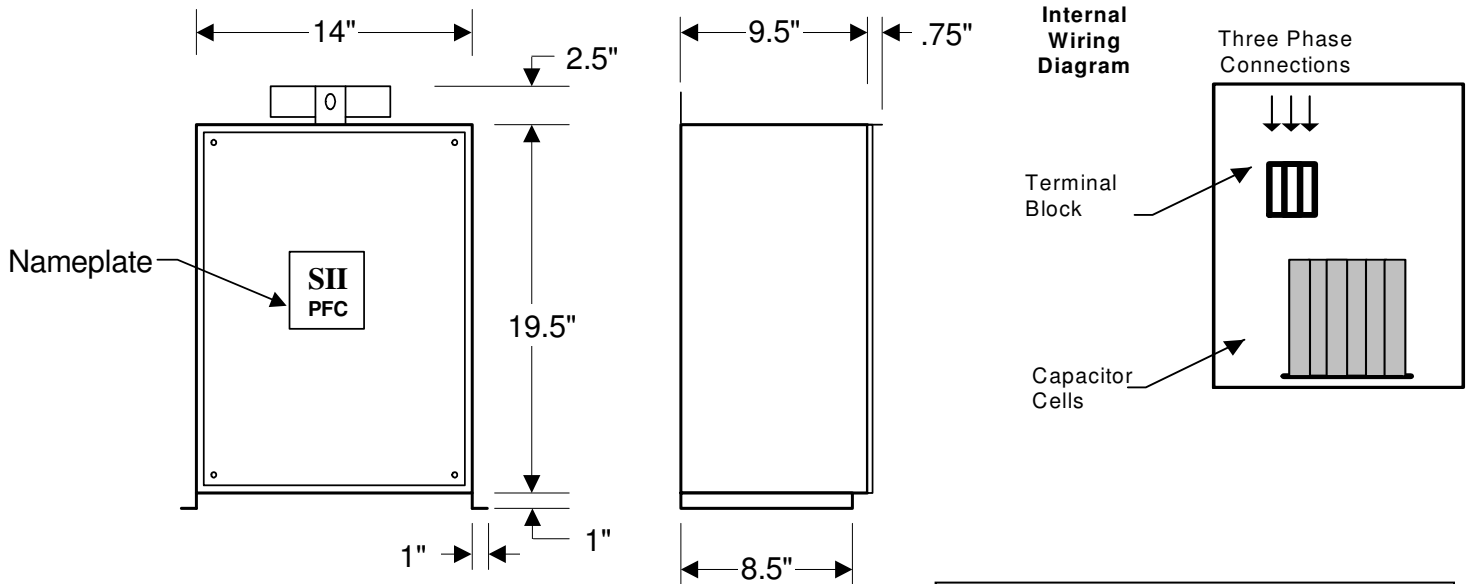


# STEELMAN POWER CAPACITORS

## SPECIFICATION SHEET



**MODEL M052.5-480-NF**  
**52.5 KVAR 480 VOLT Non Fused**  
**Three Phase 60 Hz NEMA 3R Enclosure**  
**Rated Current: 63 Amps**  
**Recommended Wire Size: 3 AWG**  
**APPROX. WEIGHT 50 LBS. EACH**

**OPTIONS:**

- ◆ Built-In Contactor
- ◆ 3<sup>rd</sup> Leg Fusing
- ◆ Built-In Circuit Breaker

Enclosures are rated NEMA 3R, Outdoor/Indoor.  
 Provisions for wall, pole, or floor mounting are included.

**Life Expectancy: 20 years**  
**Temperature: -40°C to +50°C**  
**Discharge Resistors: Included, will reduce residual voltage to less than 50 volts in one minute after removal from service.**  
**Pressure Sensitive Interrupter in each capacitor cell.**

**Self Clearing Design**

STEELMAN ADVANTAGE  
OPTION

600Volt, 70°C rated capacitors

ENHANCES CAPACITOR  
 LIFE & PERFORMANCE  
 CHARACTERISTICS

**TWO YEAR LIMITED WARRANTY!**



**STEELMAN INDUSTRIES, INC.**

2800 HWY. 135 N      P.O. BOX 1461      KILGORE, TEXAS 75662  
 PHONE: (903) 984-3061      FAX: (903) 984-1384