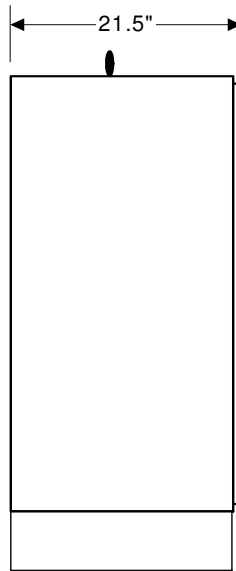
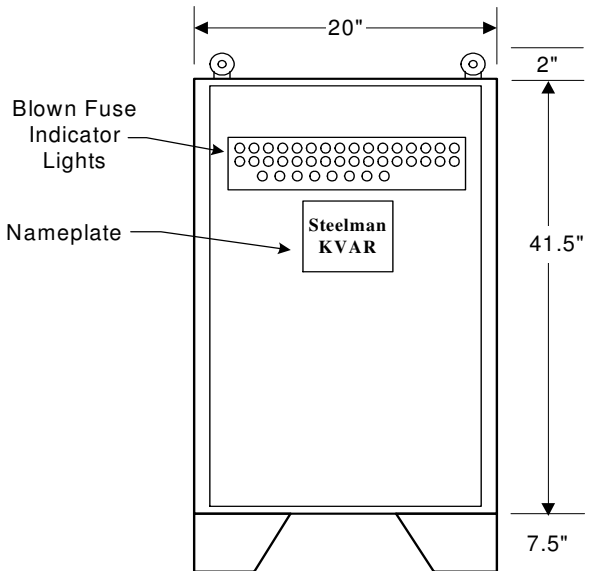
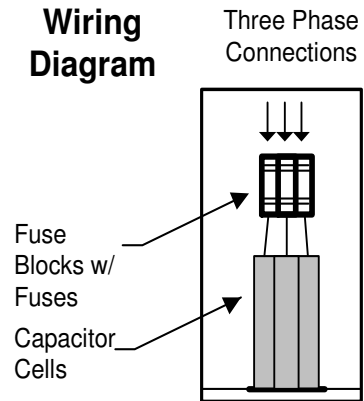


STEELMAN POWER CAPACITORS SPECIFICATION SHEET



Life Expectancy: 20 years
Temperature: -40°C to +50°C
Discharge Resistors: Included, will reduce residual voltage to less than 50 volts in one minute after removal from service.
Pressure Sensitive Interrupter in each capacitor cell.
Self Clearing Design

Internal Wiring Diagram



MODEL M100-240-FPL
100 KVAR 240 VOLT Fused with pilot lights
Three Phase 60 Hz NEMA 1 Enclosure
Rated Current: 240.6 Amps
Recommended Wire Size: 400 MCM
APPROX. WEIGHT 200 LBS.

Enclosures are rated NEMA 1, Indoor. Designed to be floor mounted. Lifting eye bolts on all Pad-Mount Units.



OPTIONS:

- ◆ 3rd Leg Fusing
- ◆ Built-In Circuit Breaker
- ◆ NEMA 3R Outdoor Enclosure

STEELMAN ADVANTAGE OPTION

480Volt, 70°C rated capacitors

ENHANCES CAPACITOR
LIFE & PERFORMANCE
CHARACTERISTICS

TWO YEAR LIMITED WARRANTY!

STEELMAN INDUSTRIES, INC.

2800 HWY. 135 N P.O. BOX 1461 KILGORE, TEXAS 75662

PHONE: (903) 984-3061 FAX: (903) 984-1384