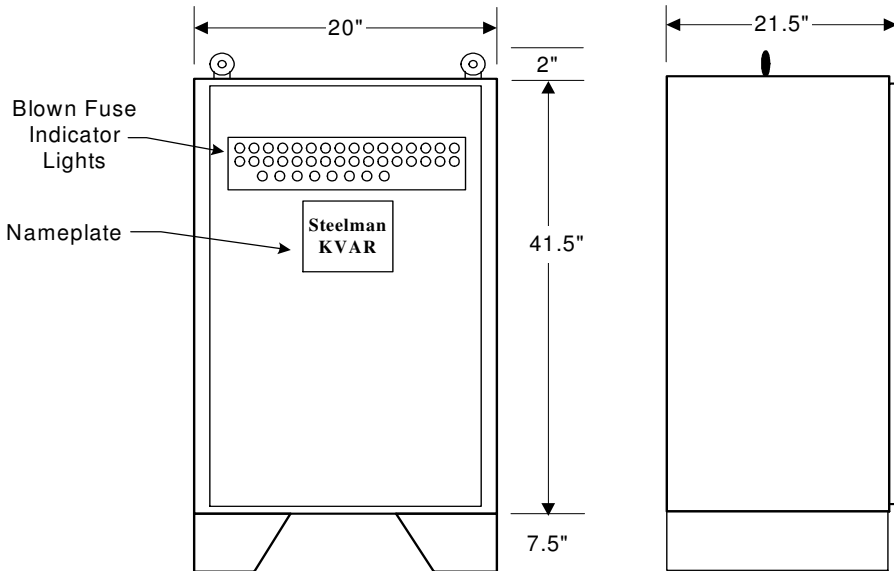
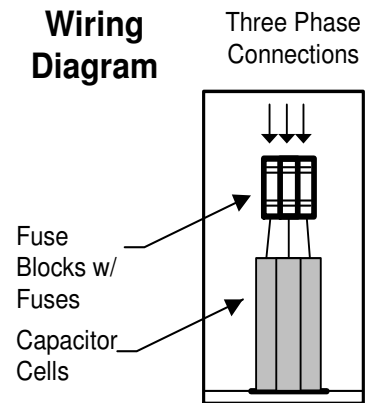


# STEELMAN POWER CAPACITORS SPECIFICATION SHEET



**Life Expectancy:** 20 years  
**Temperature:** -40°C to +50°C  
**Discharge Resistors:** Included, will reduce residual voltage to less than 50 volts in one minute after removal from service.  
**Pressure Sensitive Interrupter in each capacitor cell.**  
**Self Clearing Design**

### Internal Wiring Diagram



## MODEL M125.0-240-FPL

**125 KVAR 240 VOLT Fused with pilot lights**

**Three Phase 60 Hz NEMA 1 Enclosure**

**Rated Current: 300.7 Amps**

**Recommended Wire Size: (2) 4/0 AWG CU. per phase**

**APPROX. WEIGHT 250 LBS. EACH**

Enclosures are rated NEMA 1, Indoor. Designed to be floor mounted. Lifting eye bolts on all Pad-Mount Units.



### OPTIONS:

- ◆ 3<sup>rd</sup> Leg Fusing
- ◆ Built-In Circuit Breaker
- ◆ NEMA 3R Outdoor Enclosure

### STEELMAN ADVANTAGE OPTION

480Volt, 70°C rated capacitors

**ENHANCES CAPACITOR  
LIFE & PERFORMANCE  
CHARACTERISTICS**

**TWO YEAR LIMITED WARRANTY!**

**STEELMAN INDUSTRIES, INC.**

2800 HWY. 135 N      P.O. BOX 1461      KILGORE, TEXAS 75662

PHONE: (903) 984-3061      FAX: (903) 984-1384