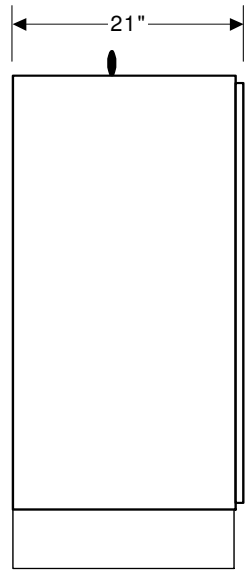
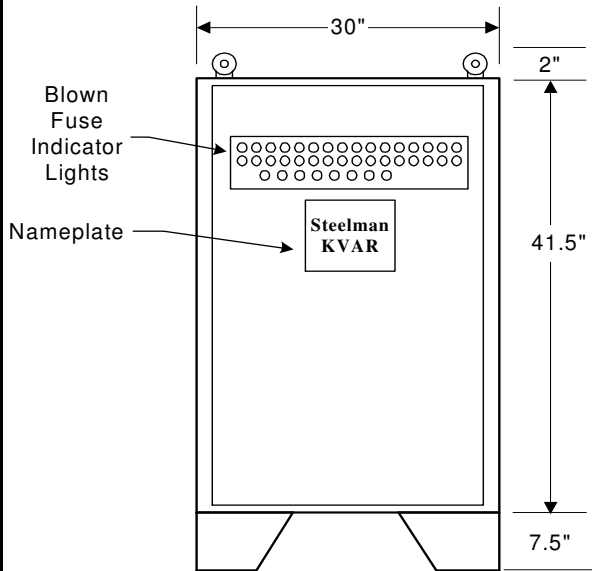


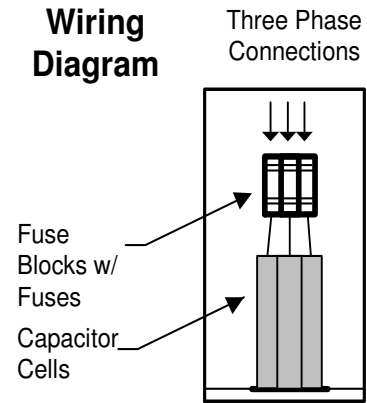
# STEELMAN POWER CAPACITORS SPECIFICATION SHEET



**Life Expectancy:** 20 years  
**Temperature:** -40°C to +50°C  
**Discharge Resistors:** Included, will reduce residual voltage to less than 50 volts in one minute after removal from service.  
**Pressure Sensitive Interrupter in each capacitor cell.**  
**Self Clearing Design**

**MODEL M150-240-FPL**  
**150 KVAR 240 VOLT Fused with pilot lights**  
**Three Phase 60 Hz NEMA 1 Enclosure**  
**Rated Current: 360.8 Amps**  
**Recommended Wire Size: (2) 250 MCM CU. per phase**  
**APPROX. WEIGHT 300 LBS. EACH**

**Internal Wiring Diagram**



Enclosures are rated NEMA 1, Indoor. Designed to be floor mounted. Lifting eye bolts on all Pad-Mount Units.



- OPTIONS:**
- ◆ 3<sup>rd</sup> Leg Fusing
  - ◆ Built-In Circuit Breaker
  - ◆ NEMA 3R Outdoor Enclosure

**STEELMAN ADVANTAGE OPTION**

480Volt, 70°C rated capacitors

**ENHANCES CAPACITOR LIFE & PERFORMANCE CHARACTERISTICS**

**TWO YEAR LIMITED WARRANTY!**

**STEELMAN INDUSTRIES, INC.**  
 2800 HWY. 135 N      P.O. BOX 1461      KILGORE, TEXAS 75662  
 PHONE: (903) 984-3061      FAX: (903) 984-1384