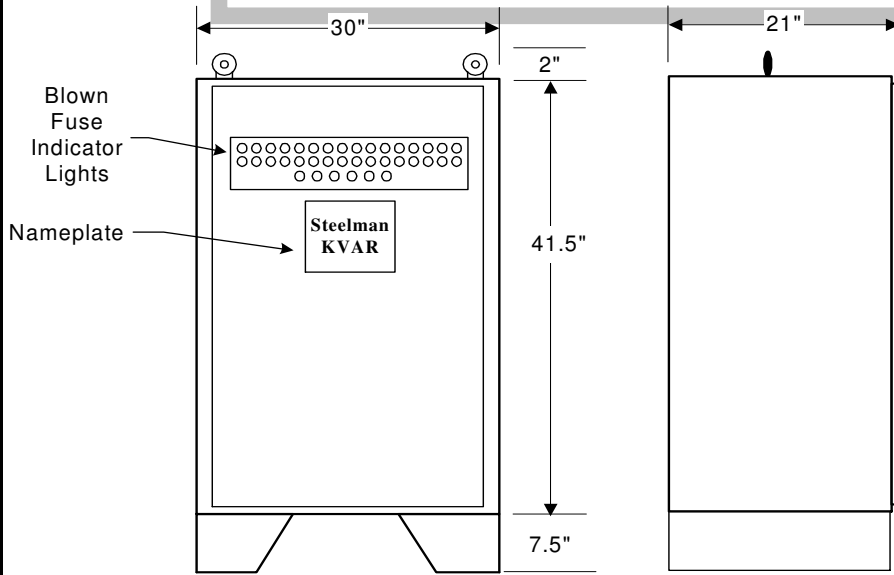
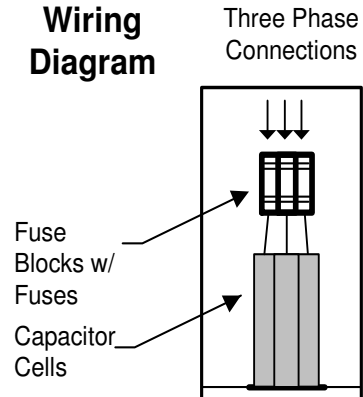


STEELMAN POWER CAPACITORS SPECIFICATION SHEET



Life Expectancy: 20 years
Temperature: -40°C to +50°C
Discharge Resistors: Included, will reduce residual voltage to less than 50 volts in one minute after removal from service.
Pressure Sensitive Interrupter in each capacitor cell.
Self Clearing Design

Internal Wiring Diagram



MODEL M250.0-480-FPL

300 KVAR 480 VOLT Fused with Pilot Lights

Three Phase 60 Hz NEMA 1 Enclosure

Rated Current: 300 Amps

Recommended Wire Size: (2) 250 MCM CU. per phase

APPROX. WEIGHT 250 LBS. EACH

Enclosures are rated NEMA 1, Indoor. Designed to be floor mounted. Lifting eye bolts on all Pad-Mount Units. Electrical Connections should be made through top right.



OPTIONS:

- ◆ 3rd Leg Fusing
- ◆ Built-In Circuit Breaker
- ◆ NEMA 3R Outdoor Enclosure

STEELMAN ADVANTAGE OPTION

600Volt, 70°C rated capacitors

ENHANCES CAPACITOR LIFE & PERFORMANCE CHARACTERISTICS

TWO YEAR LIMITED WARRANTY!

STEELMAN INDUSTRIES, INC.

2706 HWY. 135 N P.O. BOX 1461 KILGORE, TEXAS 75662

PHONE: (903) 984-3061 FAX: (903) 984-1384