



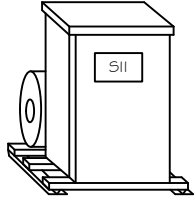
Steelman Industries, Inc.

P.O. BOX 1461 2800 Hwy. 135 Kilgore, Texas 75662

PH# (903) 984-3061

FAX# (903) 984-1384

Application



H-A-S
Rotary Phase Converter
 Converts
 Single Phase Power
 Into
 Three Phase Power

Model Numbers

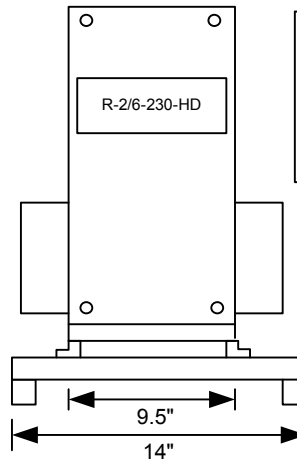
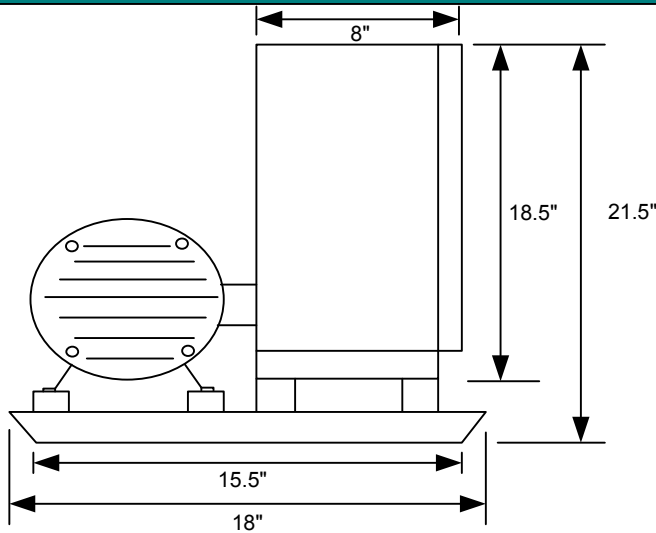
ODP MODEL

R-2/6-230-HD

TEFC MODEL

R-2/6-230-HD/TEFC

Measurements & Specifications



Weight: 100 lbs.
 Enclosure Size/Type: 1/ NEMA 3R
 Base Size: 1

*Assembled, Tested, and mounted on steel base ready for installation.

Electrical Specifications & Service Requirements

Voltage Input: 230

Voltage Output: 230

Max. Single Phase Current Input: 15 A

Idle Current: 3.5 A

Inrush Current: 40A

Largest Motor Starting Capacity: 2HP

Total Running Horse Power Capacity: 6HP

Note: Converter should not run for long periods of time with no load.

40A Disconnect Switch
 8 AWG Wire (Recommended)

