



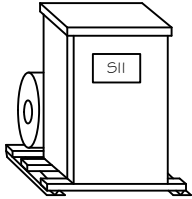
Steelman Industries, Inc.

P.O. BOX 1461 2800 Hwy. 135 Kilgore, Texas 75662

PH# (903) 984-3061

FAX# (903) 984-1384

Application



**H-A-S
Rotary Phase Converter**
Converts
Single Phase Power
Into
Three Phase Power

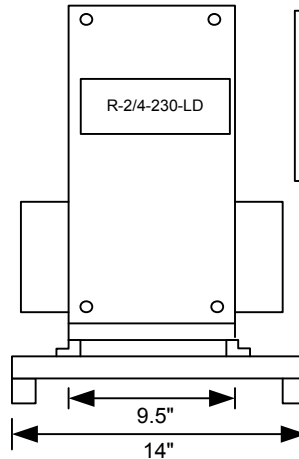
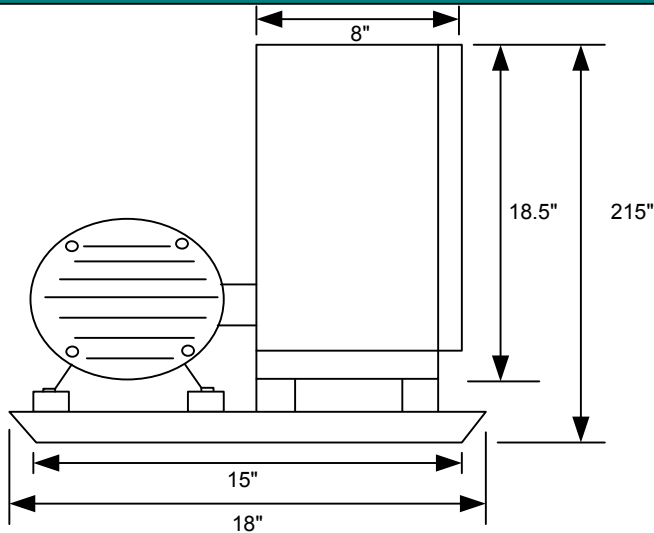
ODP MODEL

R-2/4-230-LD

TEFC MODEL

R-2/4-230-LD/TEFC

Measurements & Specifications



Weight: 98 lbs.

Enclosure Size/Type: 1/ NEMA 3R

Base Size: 1

***Assembled, Tested, and mounted on steel base ready for installation.**

Electrical Specifications & Service Requirements

Voltage Input: 230

Voltage Output: 230

Max. Single Phase Current Input: 30A

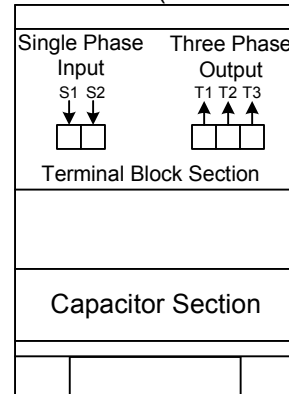
Idle Current: 3 A

Inrush Current: 48A

Largest Motor Starting Capacity: 2HP

Total Running Horse Power Capacity: 4HP

40A Disconnect Switch
8 AWG Wire (Recommended)



Note: Converter should not run for long periods without a load.