

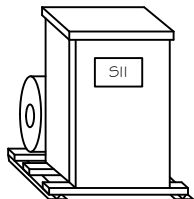


Steelman Industries, Inc.

P.O. BOX 1461 2800 Hwy. 135 Kilgore, Texas 75662

PH# (903) 984-3061
FAX# (903) 984-1384

Application



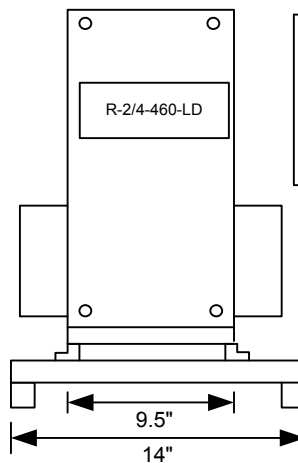
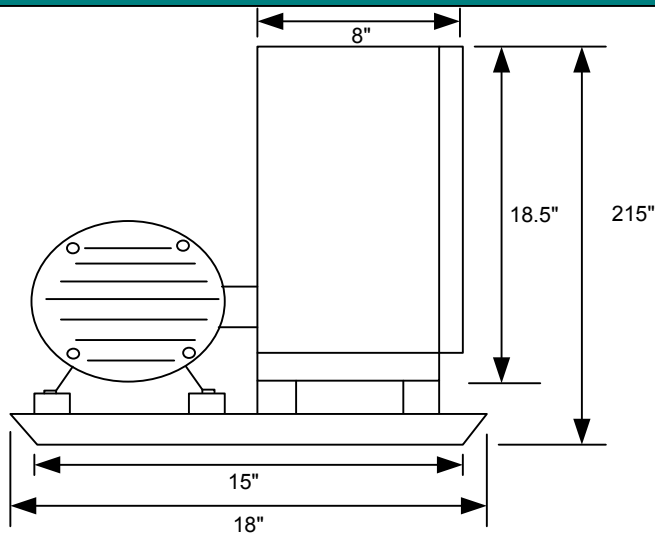
**H-A-S
Rotary Phase Converter**
Converts
Single Phase Power
Into
Three Phase Power

Model Numbers

ODP MODEL
R-2/4-460-LD

TEFC MODEL
R-2/4-460-LD/TEFC

Measurements & Specifications



Weight: 98 lbs.

Enclosure Size/Type: 1/ NEMA 3R

Base Size: 1

***Assembled, Tested, and mounted on steel base ready for installation.**

Electrical Specifications & Service Requirements

Voltage Input: 460

Voltage Output: 460

Max. Single Phase Current Input: 15A

Idle Current: 1.5 A

Inrush Current: 24A

Largest Motor Starting Capacity: 2HP

Total Running Horse Power Capacity: 4HP

20A Disconnect Switch
10 AWG Wire (Recommended)

