



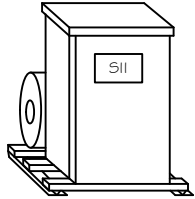
# Steelman Industries, Inc.

P.O. BOX 1461 2800 Hwy. 135 Kilgore, Texas 75662

PH# (903) 984-3061

FAX# (903) 984-1384

## Application



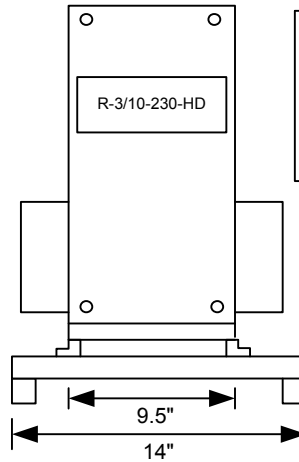
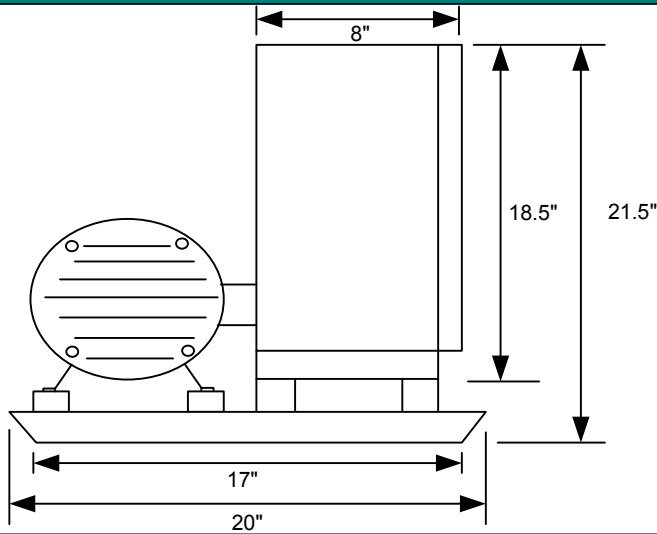
**H-A-S**  
**Rotary Phase Convertor**  
 Converts  
 Single Phase Power  
 Into  
 Three Phase Power

## Model Numbers

**ODP MODEL**  
**R-3/10-230-HD**

**TEFC MODEL**  
**R-3/10-230-HD/TEFC**

## Measurements & Specifications



Weight: 140 lbs.  
 Enclosure Size/Type: 1/ NEMA 3R  
 Base Size: 2

\*Assembled, Tested, and mounted on steel base ready for installation.

## Electrical Specifications & Service Requirements

Voltage Input: 230

Voltage Output: 230

Max. Single Phase Current Input: 56 A

Idle Current: 4.5 A

Inrush Current: 100A

Largest Motor Starting Capacity: 3HP

Total Running Horse Power Capacity: 10HP

Note: Convertor should not run for long periods of time with no load.

70A Disconnect Switch  
 6 AWG Wire (Recommended)

