

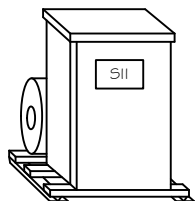


Steelman Industries, Inc.

P.O. BOX 1461 2800 Hwy. 135 Kilgore, Texas 75662

PH# (903) 984-3061
 FAX# (903) 984-1384

Application

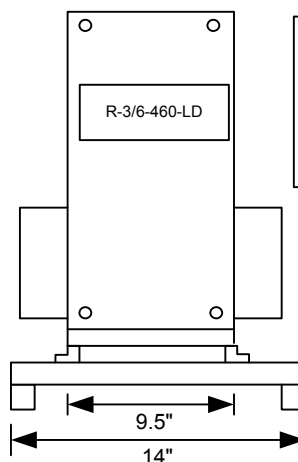
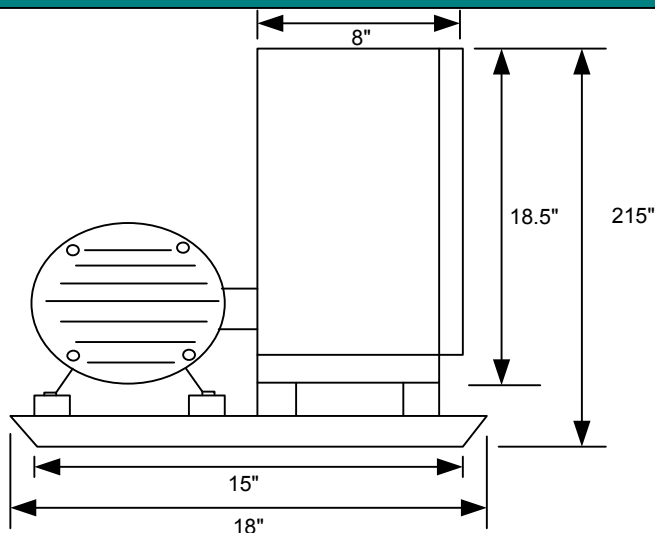


**H-A-S
 Rotary Phase Converter**
 Converts
**Single Phase Power
 Into
 Three Phase Power**

Model Numbers

ODP MODEL
R-3/6-460-LD
TEFC MODEL
R-3/6-460-LD/TEFC

Measurements & Specifications



Weight: 100 lbs.
 Enclosure Size/Type: 1/ NEMA 3R
 Base Size: 1

*Assembled, Tested, and mounted on steel base ready for installation.

Electrical Specifications & Service Requirements

Voltage Input: 460

Voltage Output: 460

Max. Single Phase Current Input: 20A

Idle Current: 1.5 A

Inrush Current: 24A

Largest Motor Starting Capacity: 3HP

Total Running Horse Power Capacity: 6HP

20A Disconnect Switch
 10 AWG Wire (Recommended)

