



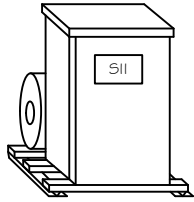
Steelman Industries, Inc.

P.O. BOX 1461 2800 Hwy. 135 Kilgore, Texas 75662

PH# (903) 984-3061

FAX# (903) 984-1384

Application



H-A-S
Rotary Phase Convertor
Converts
Single Phase Power
Into
Three Phase Power

Model Numbers

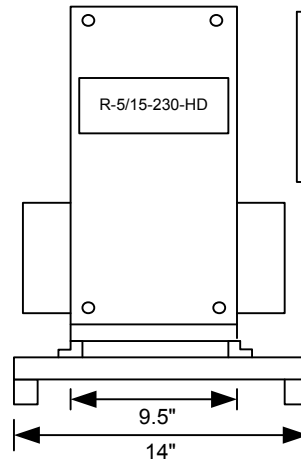
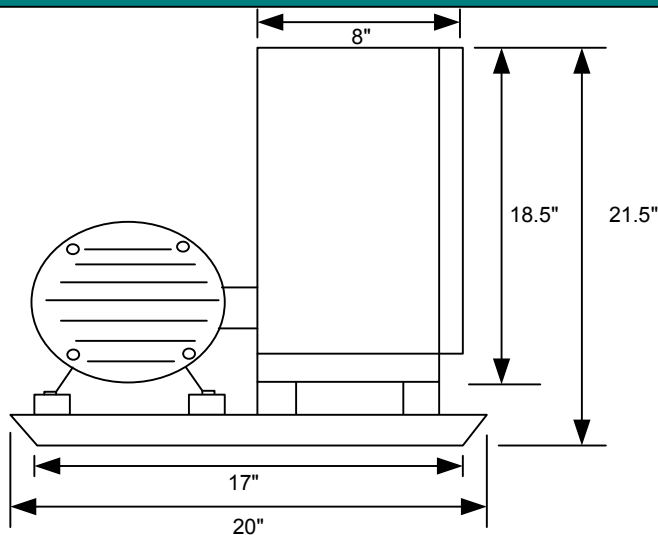
ODP MODEL

R-5/15-230-HD

TEFC MODEL

R-5/15-230-HD/TEFC

Measurements & Specifications



Weight: 150 lbs.

Enclosure Size/Type: 1/ NEMA 3R

Base Size: 2

***Assembled, Tested, and mounted on steel base ready for installation.**

Electrical Specifications & Service Requirements

Voltage Input: 230

Voltage Output: 230

Max. Single Phase Current Input: 84 A

Idle Current: 5A

Inrush Current: 100A

Largest Motor Starting Capacity: 5HP

Total Running Horse Power Capacity: 15HP

NOTE: Convertor should not run for long periods with no load.

125A Disconnect Switch
1 AWG Wire (Recommended)

