

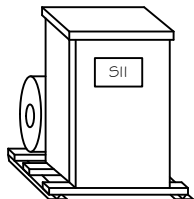


Steelman Industries, Inc.

P.O. BOX 1461 2800 Hwy. 135 Kilgore, Texas 75662

PH# (903) 984-3061
FAX# (903) 984-1384

Application

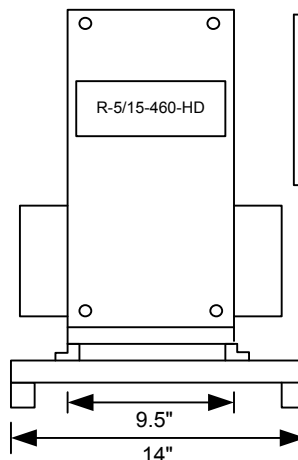
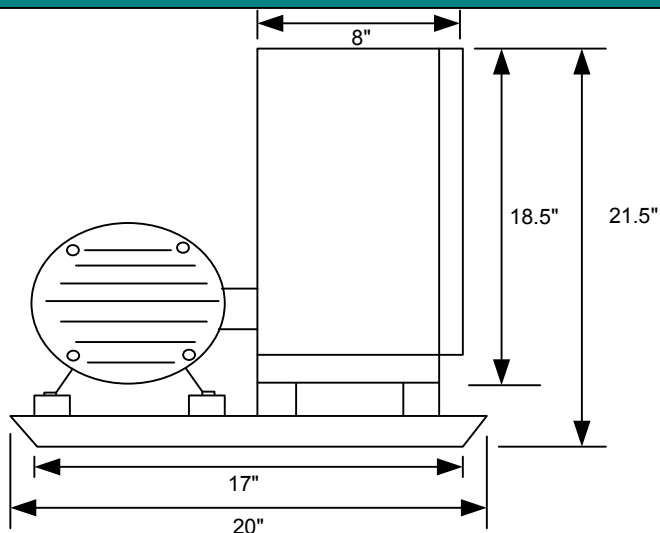


H-A-S
Rotary Phase Converter
Converts
Single Phase Power
Into
Three Phase Power

ODP MODEL
R-5/15-460-HD

TEFC MODEL
R-5/15-460-HD/TEFC

Measurements & Specifications



Weight: 150 lbs.
Enclosure Size/Type: 1/ NEMA 3R
Base Size: 2

*Assembled, Tested, and mounted on steel base ready for installation.

Electrical Specifications & Service Requirements

Voltage Input: 460

Voltage Output: 460

Max. Single Phase Current Input: 42 A

Idle Current: 2.5 A

Inrush Current: 50A

Largest Motor Starting Capacity: 5HP

Total Running Horse Power Capacity: 15HP

60A Disconnect Switch
6 AWG Wire (Recommended)

