



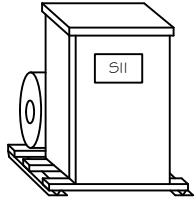
Steelman Industries, Inc.

P.O. BOX 1461 2800 Hwy. 135 Kilgore, Texas 75662

PH# (903) 984-3061

FAX# (903) 984-1384

Application



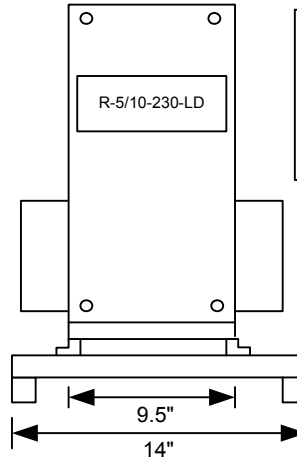
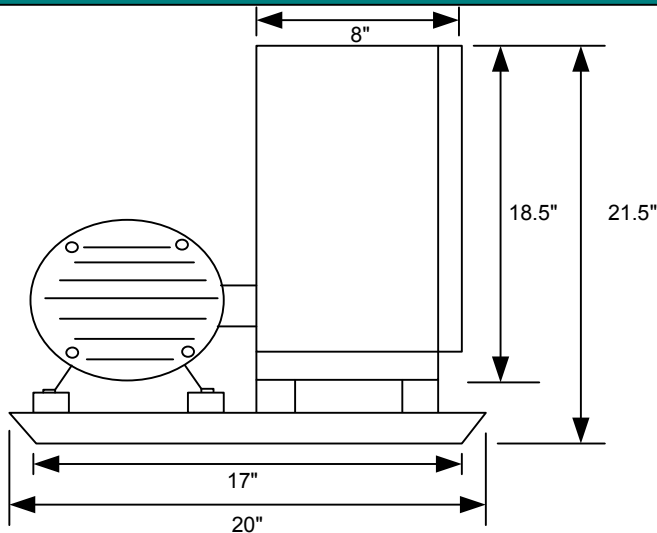
**H-A-S
Rotary Phase Converter**
Converts
Single Phase Power
Into
Three Phase Power

Model Numbers

ODP MODEL
R-5/10-230-LD

TEFC MODEL
R-5/10-230-LD/TEFC

Measurements & Specifications



Weight: 138 lbs.
Enclosure Size/Type: 1/ NEMA 3R
Base Size: 2

***Assembled, Tested, and mounted on steel base ready for installation.**

Electrical Specifications & Service Requirements

Voltage Input: 230

Voltage Output: 230

Max. Single Phase Current Input: 84 A

Idle Current: 5A

Inrush Current: 100A

Largest Motor Starting Capacity: 5HP

Total Running Horse Power Capacity: 10HP

Note: Converter should not run for long periods of time with no load.

40A Disconnect Switch
8 AWG Wire (Recommended)

