



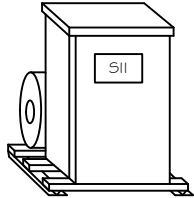
Steelman Industries, Inc.

P.O. BOX 1461 2800 Hwy. 135 Kilgore, Texas 75662

PH# (903) 984-3061

FAX# (903) 984-1384

Application



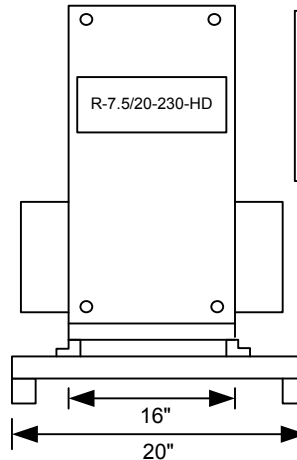
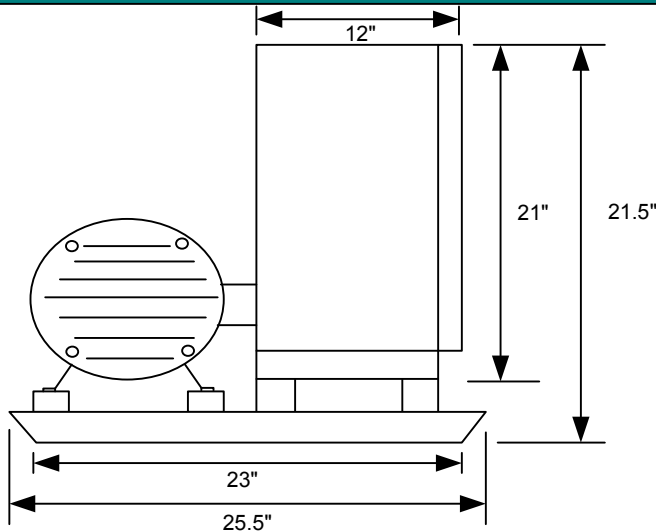
**H-A-S
Rotary Phase Converter**
Converts
Single Phase Power
Into
Three Phase Power

Model Numbers

ODP MODEL
R-7.5/20-230-HD

TEFC MODEL
R-7.5/20-230-HD/TEFC

Measurements & Specifications



Weight: 260 lbs.ODP. 340 lbs.TEFC

Enclosure Size/Type: 2/ NEMA 3R

Base Size: 3

***Assembled, Tested, and mounted on steel base ready for installation.**

Electrical Specifications & Service Requirements

Voltage Input: 230

Voltage Output: 230

Max. Single Phase Current Input: 108 A

Idle Current: 11.5 A

Inrush Current: 230A

Largest Motor Starting Capacity: 7.5HP

Total Running Horse Power Capacity: 20HP

Note: Converter should not run for a long period of time with no load.

150A Disconnect Switch
1/0 Wire (Recommended)

