



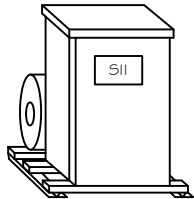
Steelman Industries, Inc.

P.O. BOX 1461 2800 Hwy. 135 Kilgore, Texas 75662

PH# (903) 984-3061

FAX# (903) 984-1384

Application



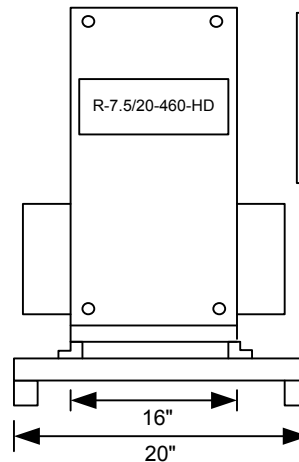
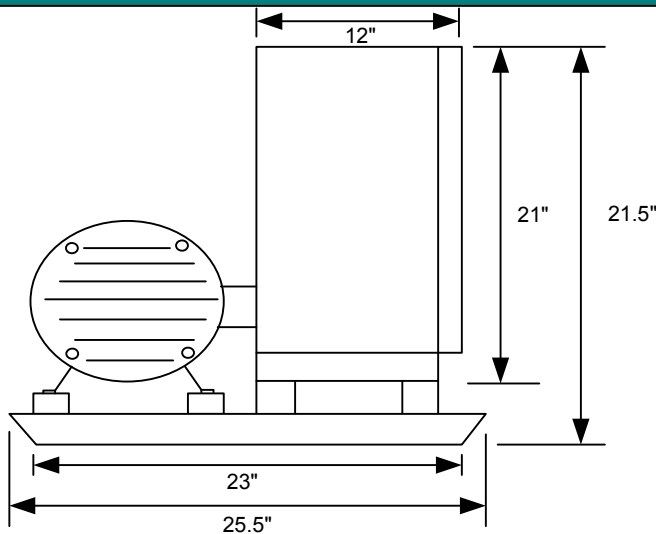
H-A-S
Rotary Phase Converter
 Converts
 Single Phase Power
 Into
 Three Phase Power

Model Numbers

ODP MODEL
R-7.5/20-460-HD

TEFC MODEL
R-7.5/20-460-HD/TEFC

Measurements & Specifications



Weight: 260 lbs., TEFC 341 lbs.
 Enclosure Size/Type: 2/ NEMA 3R
 Base Size: 3

*Assembled, Tested, and mounted on steel base ready for installation.

Electrical Specifications & Service Requirements

Voltage Input: 460

Voltage Output: 460

Max. Single Phase Current Input: 54 A

Idle Current: 5A

Inrush Current: 130A

Largest Motor Starting Capacity: 7.5HP

Total Running Horse Power Capacity: 20HP

Note: Converter should not run for long periods of time with no load.

75A Disconnect Switch
 4 AWG Wire (Recommended)

