



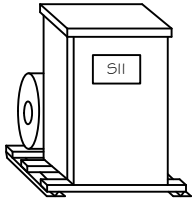
Steelman Industries, Inc.

P.O. BOX 1461 2800 Hwy. 135 Kilgore, Texas 75662

PH# (903) 984-3061

FAX# (903) 984-1384

Application



H-A-S
Rotary Phase Convertor
 Converts
 Single Phase Power
 Into
 Three Phase Power

Model Numbers

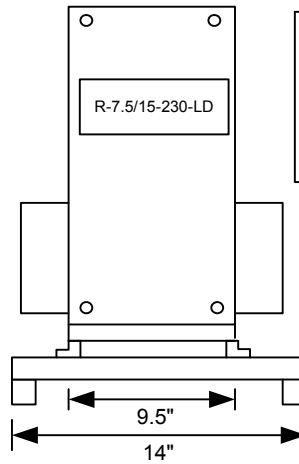
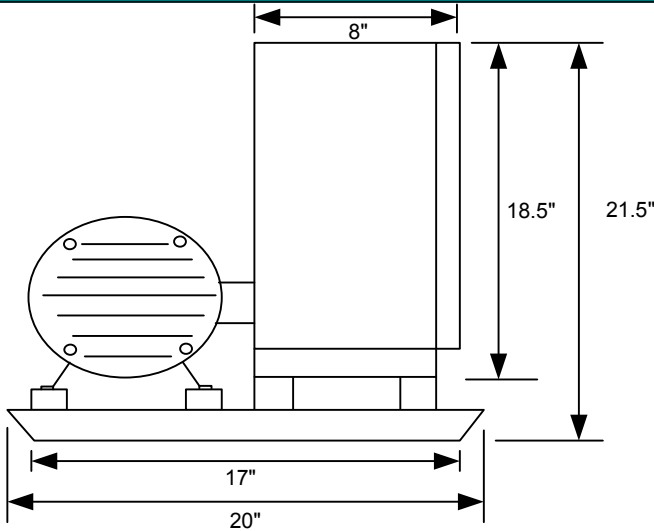
ODP MODEL

R-7.5/15-230-LD

TEFC MODEL

R-7.5/15-230-LD/TEFC

Measurements & Specifications



Weight: 260lbs. (ODP), 345 (TEFC)

Enclosure Size/Type: 1/ NEMA 3R

Base Size: 2

*Assembled, Tested, and mounted on steel base ready for installation.

Electrical Specifications & Service Requirements

Voltage Input: 230

Voltage Output: 230

Max. Single Phase Current Input: 84 A

Idle Current: 5 A

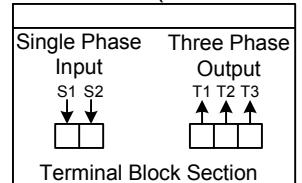
Inrush Current: 100A

Largest Motor Starting Capacity: 7.5HP

Minimum Load Requirement: 1.875HP

Total Running Horse Power Capacity: 15HP

125A Disconnect Switch
 1 AWG Wire (Recommended)



Capacitor Section

Note: Convertor should not run for long periods of time with no load.