



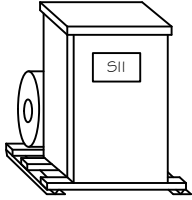
# Steelman Industries, Inc.

P.O. BOX 1461 2800 Hwy. 135 Kilgore, Texas 75662

PH# (903) 984-3061

FAX# (903) 984-1384

## Application



**H-A-S**  
**Rotary Phase Convertor**  
Converts  
Single Phase Power  
Into  
Three Phase Power

## Model Numbers

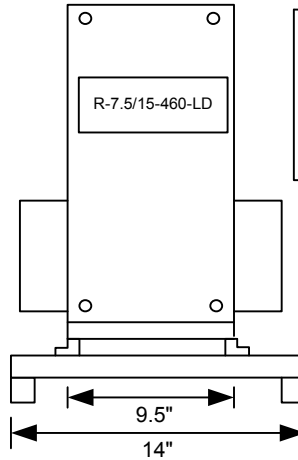
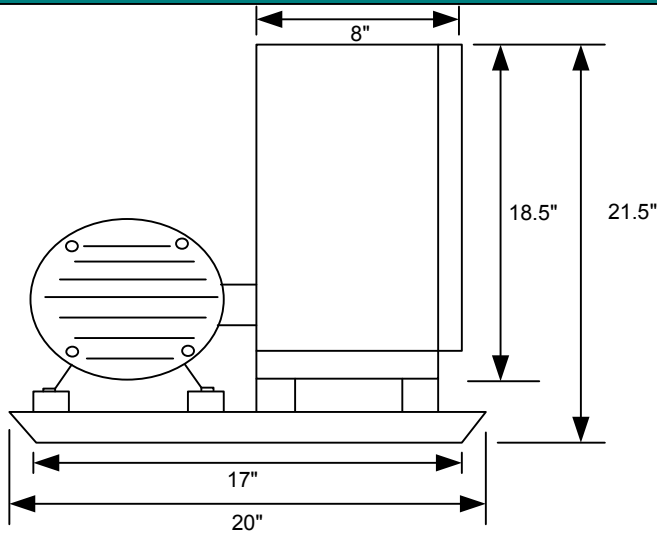
ODP MODEL

**R-7.5/15-460-LD**

TEFC MODEL

**R-7.5/15-460-LD/TEFC**

## Measurements & Specifications



Weight: 150 lbs.  
Enclosure Size/Type: 1/ NEMA 3R  
Base Size: 2

\*Assembled, Tested, and mounted on steel base ready for installation.

## Electrical Specifications & Service Requirements

Voltage Input: 460

Voltage Output: 460

Max. Single Phase Current Input: 42 A

Idle Current: 2.5 A

Inrush Current: 50A

Largest Motor Starting Capacity: 7.5HP

Total Running Horse Power Capacity: 15HP

Note: Convertor should not run for long periods of time with no load.

60A Disconnect Switch  
6 AWG Wire (Recommended)

