



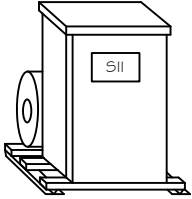
Steelman Industries, Inc.

P.O. BOX 1461 2800 Hwy. 135 Kilgore, Texas 75662

PH# (903) 984-3061

FAX# (903) 984-1384

Application



**H-A-S
Rotary Phase Converter**
Converts
Single Phase Power
Into
Three Phase Power

Model Numbers

ODP MODEL

R-100/220-230-HD

three piece unit

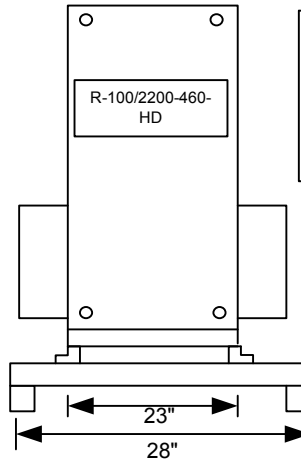
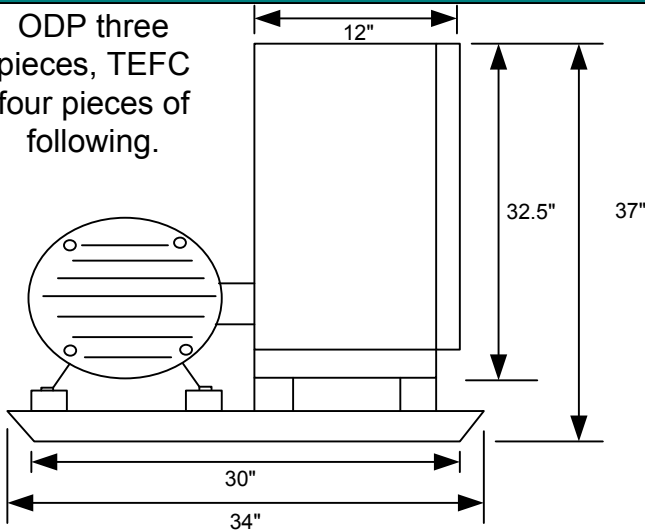
TEFC MODEL

R-100/220-230-HD/TEFC

four piece unit

Measurements & Specifications

ODP three pieces, TEFC four pieces of following.



Weight: approx. 1,620 ODP/ 2,455 TEFC

Enclosure Size/Type: 6/ NEMA 3R

Base Size: 5

*Assembled, Tested, and mounted on steel base ready for installation.

**Dimensions are for one piece

Electrical Specifications & Service Requirements

Voltage Input: 230

Voltage Output: 230

Max. Single Phase Current Input: 1056 A

Idle Current: 42 A ODP/ 56 A TEFC

Inrush Current: approx. 1680 amps

Largest Motor Starting Capacity: 100HP

Total Running Horse Power Capacity: 220HP

Note: Converter should not run for long periods of time with no load.

1200A Disconnect Switch

(2) 350 MCM Wire (Recommended)

