



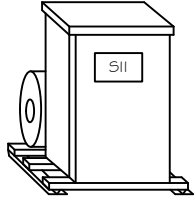
Steel Industries, Inc.

P.O. BOX 1461 2800 Hwy. 135 Kilgore, Texas 75662

PH# (903) 984-3061

FAX# (903) 984-1384

Application



H-A-S
Rotary Phase Convertor
Converts
Single Phase Power
Into
Three Phase Power

Model Numbers

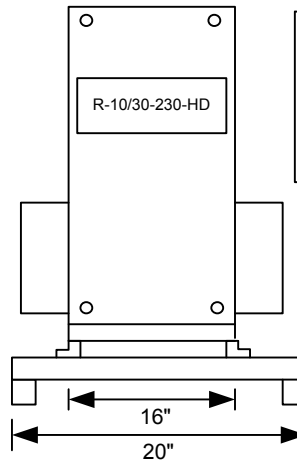
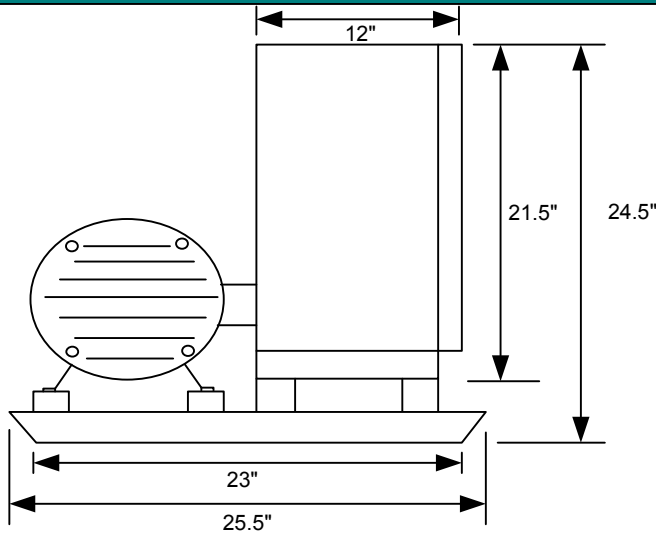
ODP MODEL

R-10/30-230-HD

TEFC MODEL

R-10/30-230-HD/TEFC

Measurements & Specifications



Weight: 260 lbs. ODP
341 lbs. TEFC

Enclosure Size/Type: 2/ NEMA 3R

Base Size: 3

*Assembled, Tested, and mounted on steel base ready for installation.

Electrical Specifications & Service Requirements

Voltage Input: 230

Voltage Output: 230

Max. Single Phase Current Input: 160 A

Idle Current: 10 A

Inrush Current: 260A

Largest Motor Starting Capacity: 10HP

Total Running Horse Power Capacity: 30HP

Note: Convertor should not run for long periods without a load.

200A Disconnect Switch
2/0 Wire (Recommended)

