



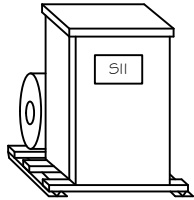
Steelman Industries, Inc.

P.O. BOX 1461 2800 Hwy. 135 Kilgore, Texas 75662

PH# (903) 984-3061

FAX# (903) 984-1384

Application



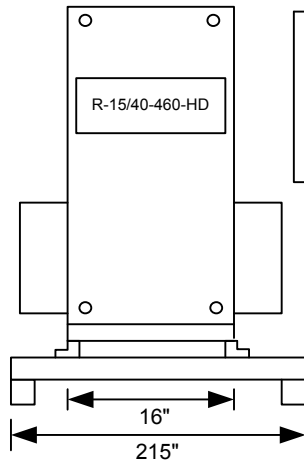
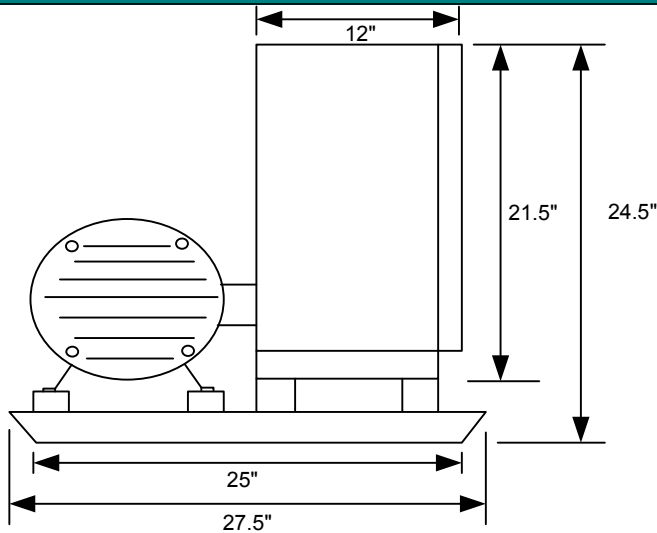
**H-A-S
Rotary Phase Converter**
Converts
Single Phase Power
Into
Three Phase Power

Model Numbers

ODP MODEL
R-15/40-460-HD

TEFC MODEL
R-15/40-460-HD/TEFC

Measurements & Specifications



Weight: 360 lbs.
Enclosure Size/Type: 2/ NEMA 3R
Base Size: 4

*Assembled, Tested, and mounted on steel base ready for installation.

Electrical Specifications & Service Requirements

Voltage Input: 460

Voltage Output: 460

Max. Single Phase Current Input: 104 A

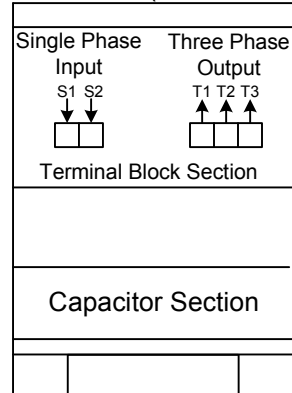
Idle Current: 10 A

Inrush Current: 190A

Largest Motor Starting Capacity: 15HP

Total Running Horse Power Capacity: 40HP

125A Disconnect Switch
1AWG Wire (Recommended)



Note: Converter should not run for long periods unloaded.