

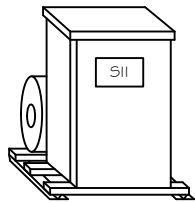


Steelman Industries, Inc.

P.O. BOX 1461 2800 Hwy. 135 Kilgore, Texas 75662

PH# (903) 984-3061
 FAX# (903) 984-1384

Application



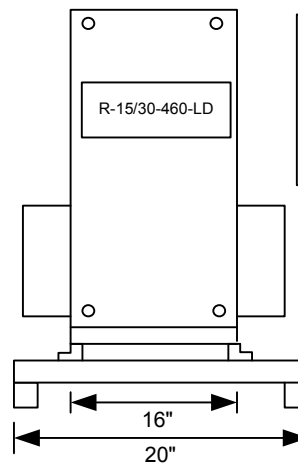
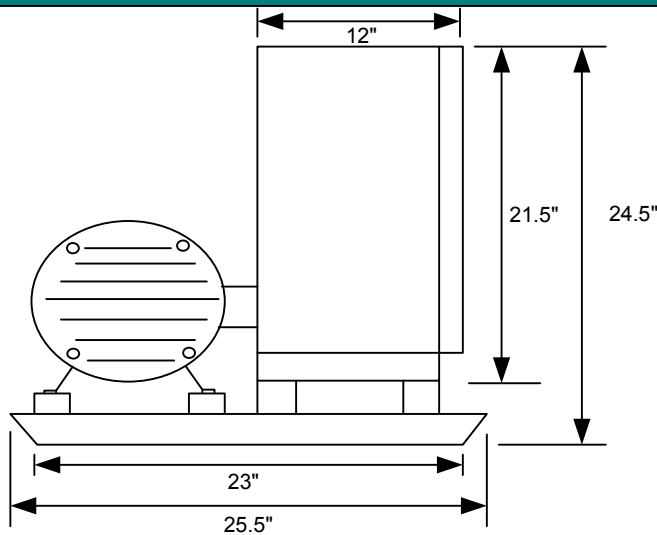
**H-A-S
 Rotary Phase Converter**
 Converts
**Single Phase Power
 Into
 Three Phase Power**

Model Numbers

ODP MODEL
R-15/30-460-LD

TEFC MODEL
R-15/30-460-LD/TEFC

Measurements & Specifications



Weight: 275 lbs.ODP, 345 TEFC
 Enclosure Size/Type: 2/ NEMA 3R
 Base Size: 3

*Assembled, Tested, and mounted on steel base ready for installation.

Electrical Specifications & Service Requirements

Voltage Input: 460

Voltage Output: 460

Max. Single Phase Current Input: 80 A

Idle Current: 5 A

Inrush Current: 130A

Largest Motor Starting Capacity: 15HP

Total Running Horse Power Capacity: 30HP

Note: The convertor should not run for long periods of time with no load.

100A Disconnect Switch
 3 AWG Wire (Recommended)

