



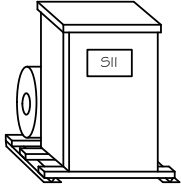
Steelman Industries, Inc.

P.O. BOX 1461 2800 Hwy. 135 Kilgore, Texas 75662

PH# (903) 984-3061

FAX# (903) 984-1384

Application



H-A-S
Rotary Phase Converter
 Converts
Single Phase Power
 Into
Three Phase Power

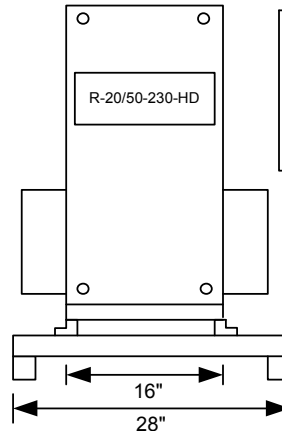
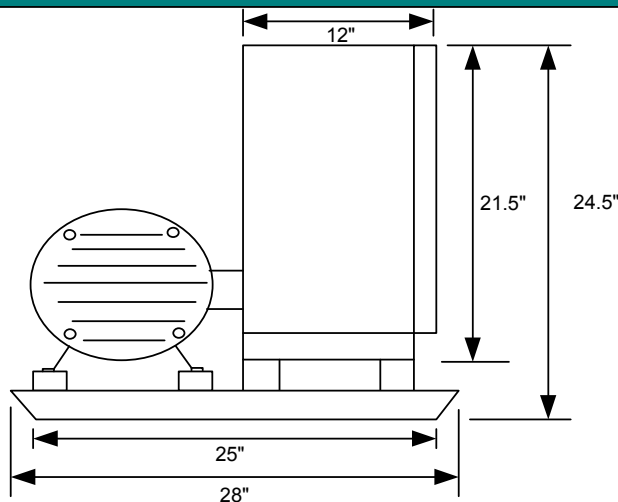
ODP MODEL

R-20/50-230-HD

TEFC MODEL

R-20/50-230-HD/TEFC

Measurements & Specifications



Weight: 350 lbs. ODP / 475 lbs. TEFC

Enclosure Size/Type: 2/NEMA 3R

Base Size: 4

***Assembled, Tested, and mounted on steel base ready for installation.**

Electrical Specifications & Service Requirements

Voltage Input: 230

Voltage Output: 230

Max. Single Phase Current Input: 260 A

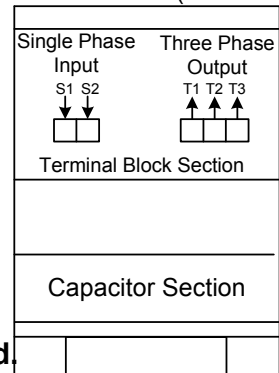
Idle Current: 14 A

Inrush Current: 360A

Largest Motor Starting Capacity: 20HP

Total Running Horse Power Capacity: 50HP

325A Disconnect Switch
 250 MCM Wire (Recommended)



Note: Converter should not run for long periods of time with no load.