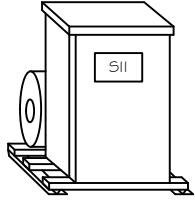




Steelman Industries, Inc.

P.O. BOX 1461 2800 Hwy. 135 Kilgore, Texas 75662
 PH# (903) 984-3061
 FAX# (903) 984-1384

Application



H-A-S
Rotary Phase Converter
 Converts
 Single Phase Power
 Into
 Three Phase Power

Model Numbers

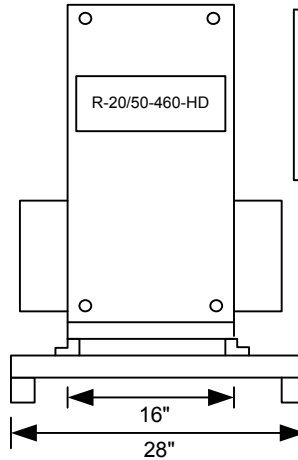
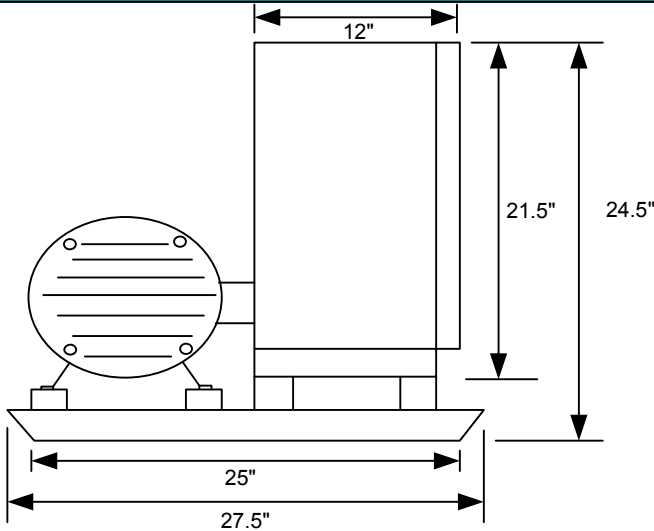
ODP MODEL

R-20/50-460-HD

TEFC MODEL

R-20/50-460-HD/TEFC

Measurements & Specifications



ODP Weight: 370 lbs.
 TEFC Weight: 475 lbs.

*Assembled, Tested, and mounted on steel base ready for installation.

Electrical Specifications & Service Requirements

Voltage Input: 460

Voltage Output: 460

Max. Single Phase Current Input: 130 A

Idle Current: 7A ODP 7A TEFC

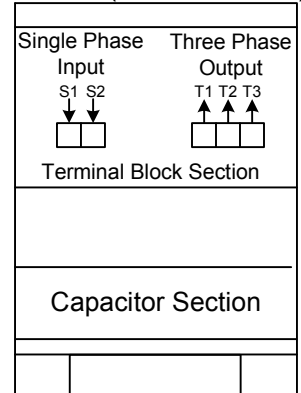
Inrush Current: 180A ODP 220A TEFC

Largest Motor Starting Capacity: 20HP

Minimum Operating Load: 5HP

Total Running Horse Power Capacity: 50HP

175A Disconnect Switch
 2/0 Wire (Recommended)



Note: Converter should not run for long periods with no load