

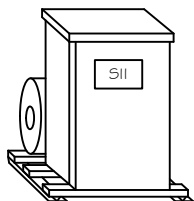


# Steelman Industries, Inc.

P.O. BOX 1461 2800 Hwy. 135 Kilgore, Texas 75662

PH# (903) 984-3061  
FAX# (903) 984-1384

## Application



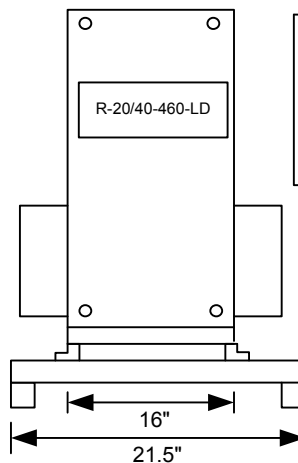
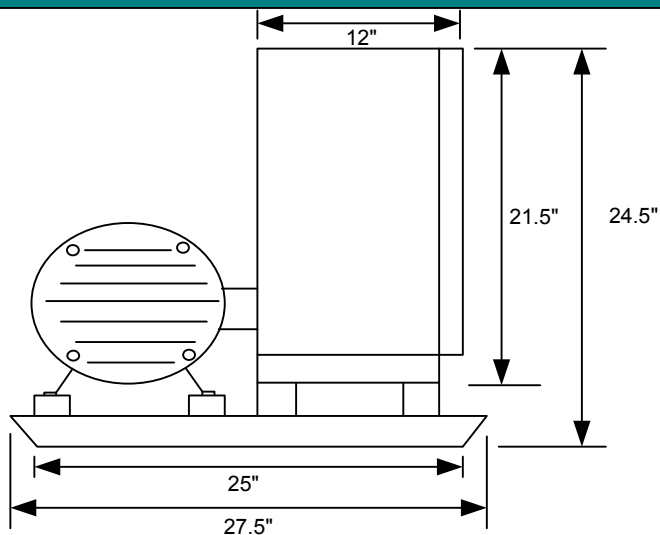
**H-A-S**  
**Rotary Phase Converter**  
Converts  
Single Phase Power  
Into  
Three Phase Power

## Model Numbers

ODP MODEL  
**R-20/40-460-LD**

TEFC MODEL  
**R-20/40-460-LD/TEFC**

## Measurements & Specifications



Weight: 360 lbs. ODP, 475 TEFC  
Enclosure Size/Type: 2/ NEMA 3R  
Base Size: 4

\*Assembled, Tested, and mounted on steel base ready for installation.

## Electrical Specifications & Service Requirements

Voltage Input: 460

Voltage Output: 460

Max. Single Phase Current Input: 104 A

Idle Current: 5.5 A

Inrush Current: 150A

Largest Motor Starting Capacity: 20HP

Total Running Horse Power Capacity: 40HP

100A Disconnect Switch  
3 AWG Wire (Recommended)

