

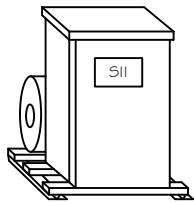


Steelman Industries, Inc.

P.O. BOX 1461 2800 Hwy. 135 Kilgore, Texas 75662

PH# (903) 984-3061
 FAX# (903) 984-1384

Application



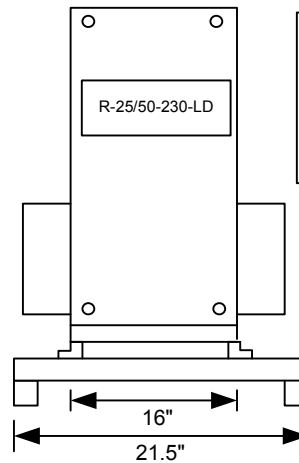
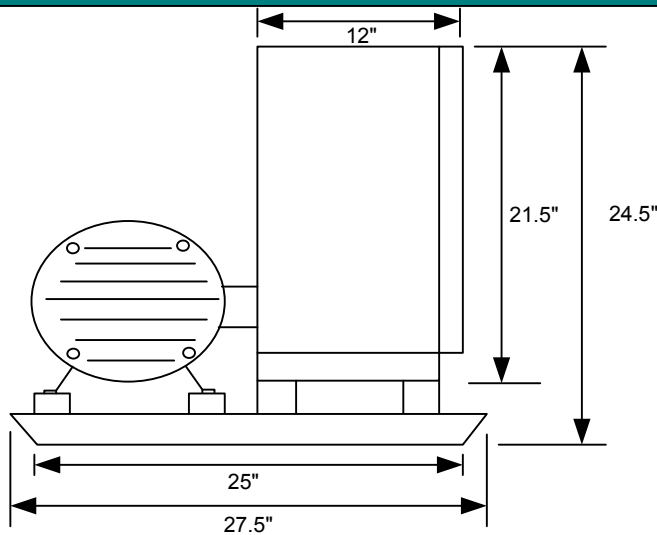
H-A-S
Rotary Phase Converter
 Converts
 Single Phase Power
 Into
 Three Phase Power

Model Numbers

ODP MODEL
R-25/50-230-LD

TEFC MODEL
R-25/50-230-LD/TEFC

Measurements & Specifications



Weight: 370 lbs.
 Enclosure Size/Type: 2/ NEMA 3R
 Base Size: 4

*Assembled, Tested, and mounted on steel base ready for installation.

Electrical Specifications & Service Requirements

Voltage Input: 230

Voltage Output: 230

Max. Single Phase Current Input: 260 A

Idle Current: 17 A

Inrush Current: 310A

Largest Motor Starting Capacity: 25HP

Total Running Horse Power Capacity: 50HP

325A Disconnect Switch
 250 MCM Wire Recommended)

