



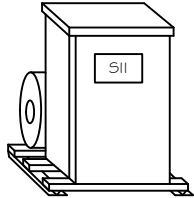
Steelman Industries, Inc.

P.O. BOX 1461 2800 Hwy. 135 Kilgore, Texas 75662

PH# (903) 984-3061

FAX# (903) 984-1384

Application



H-A-S
Rotary Phase Converter
 Converts
 Single Phase Power
 Into
 Three Phase Power

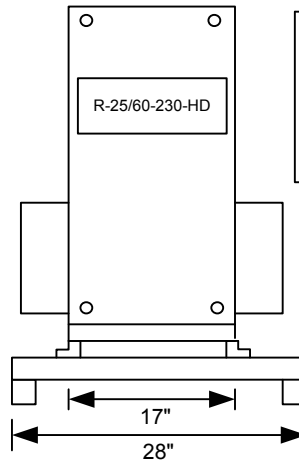
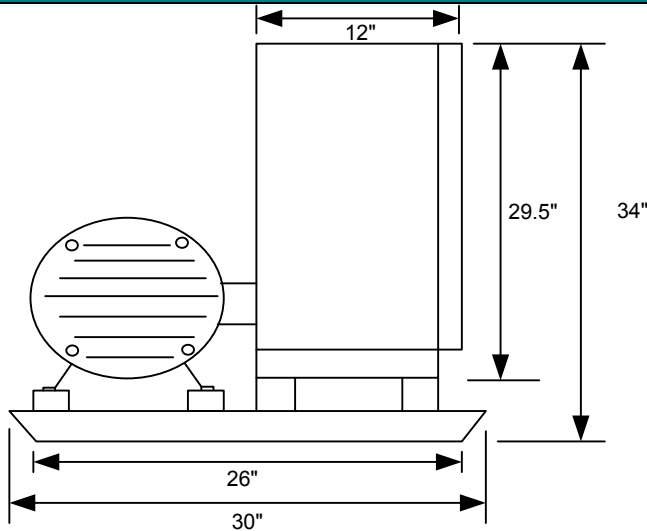
ODP MODEL

R-25/60-230-HD

TEFC MODEL

R-25/60-230-HD/TEFC

Measurements & Specifications



Weight: 490 lbs.(ODP), 660 lbs (TEFC)

Enclosure Size/Type: 3/ NEMA 3R

Base Size: 5

*Assembled, Tested, and mounted on steel base ready for installation.

Electrical Specifications & Service Requirements

Voltage Input: 230

Voltage Output: 230

Max. Single Phase Current Input: 308 A

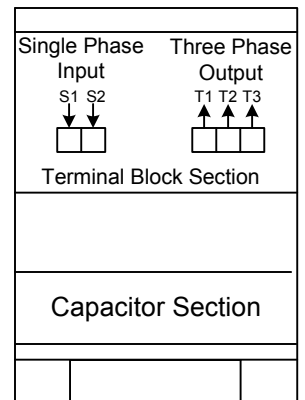
Idle Current: 14 A

Inrush Current: 440A

Largest Motor Starting Capacity: 25HP

Minimum Load: 6.25 HP

Total Running Horse Power Capacity: 60HP



Note: Converter should not run for long periods of time with no load.