



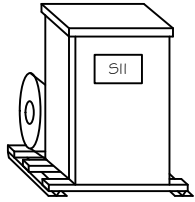
Steelman Industries, Inc.

P.O. BOX 1461 2800 Hwy. 135 Kilgore, Texas 75662

PH# (903) 984-3061

FAX# (903) 984-1384

Application



H-A-S
Rotary Phase Convertor
Converts
Single Phase Power
Into
Three Phase Power

Model Numbers

ODP MODEL (Open Drip Proof)

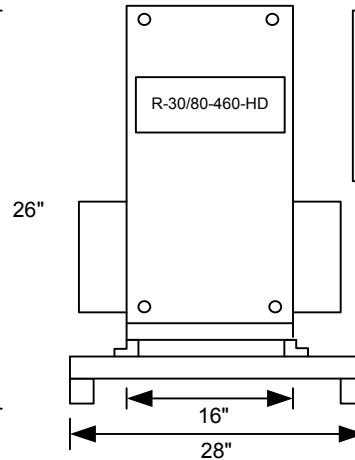
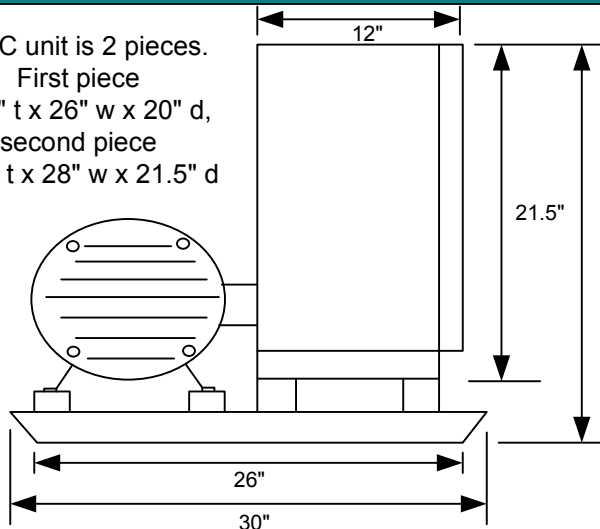
R-30/80-460-HD

TEFC MODEL (Totally Enclosed, Fan Cooled)

R-30/80-460-HD/TEFC

Measurements & Specifications

TEFC unit is 2 pieces.
First piece
24.5" t x 26" w x 20" d,
second piece
24.5" t x 28" w x 21.5" d



Weight: ODP: 560 lbs. TEFC: 816 lbs.

Enclosure Size/Type: 2/ NEMA 3R

Base Size: 5

*Assembled, Tested, and mounted on steel base ready for installation.

Drawing dimensions are for ODP model.

Electrical Specifications & Service Requirements

Voltage Input: 460

Voltage Output: 460

Max. Single Phase Current Input: 192 A

Idle Current: ODP: 7 A TEFC: 12 A

Inrush Current: ODP: 280 A TEFC: 310 A (180A & 130A)

Largest Motor Starting Capacity: 30HP

Total Running Horse Power Capacity: 80HP

Note: Convertor should not run for long periods with less than 7.5 hp.

250A Disconnect Switch
250 MCM Wire (Recommended)

