



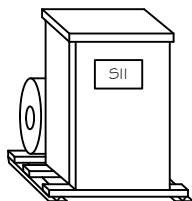
Steelman Industries, Inc.

P.O. BOX 1461 2800 Hwy. 135 Kilgore, Texas 75662

PH# (903) 984-3061

FAX# (903) 984-1384

Application



**H-A-S
Rotary Phase Converter**
Converts
Single Phase Power
Into
Three Phase Power

Model Numbers

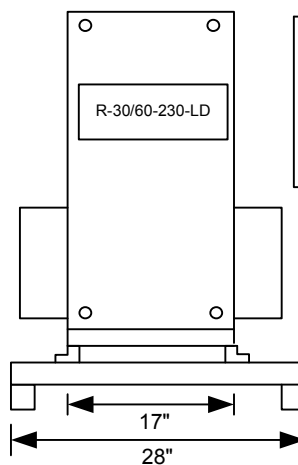
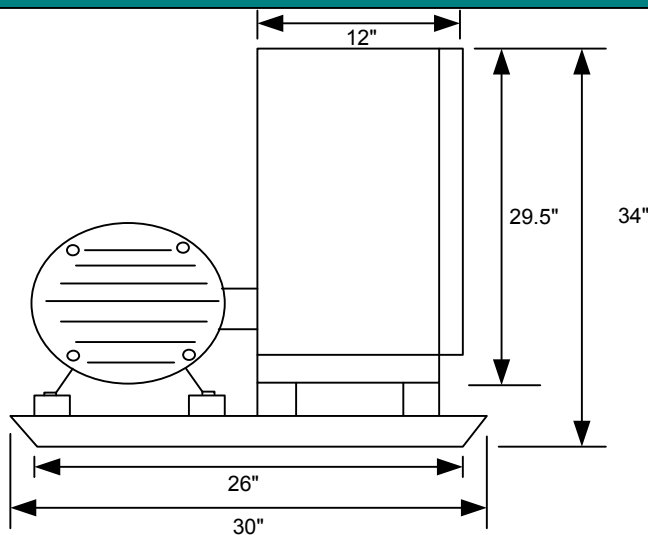
ODP MODEL

R-30/60-230-LD

TEFC MODEL

R-30/60-230-LD/TEFC

Measurements & Specifications



Weight: 490 lbs.

Enclosure Size/Type: 3/ NEMA 3R

Base Size: 5

*Assembled, Tested, and mounted on steel base ready for installation.

Electrical Specifications & Service Requirements

Voltage Input: 230

Voltage Output: 230

Max. Single Phase Current Input: 308 A

Idle Current: 11 A

Inrush Current: 300A

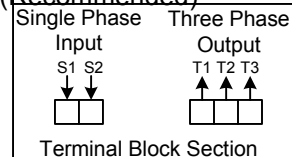
Largest Motor Starting Capacity: 30HP

Total Running Horse Power Capacity: 60HP

400A Disconnect Switch

500 MCM Wire

(Recommended)



Capacitor Section