



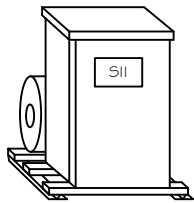
Steelman Industries, Inc.

P.O. BOX 1461 2800 Hwy. 135 Kilgore, Texas 75662

PH# (903) 984-3061

FAX# (903) 984-1384

Application



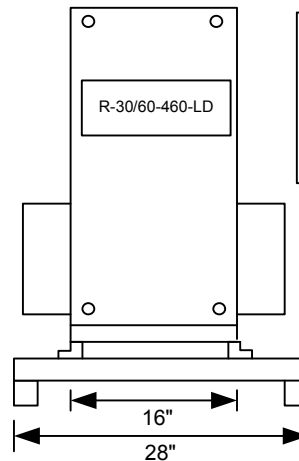
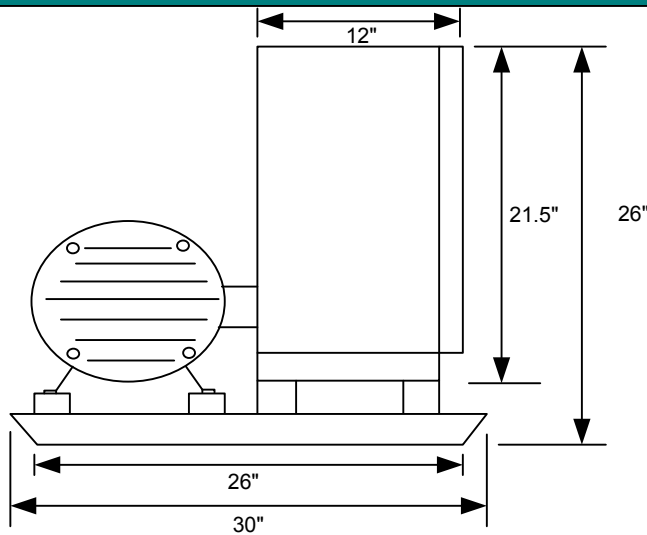
**H-A-S
Rotary Phase Converter**
Converts
Single Phase Power
Into
Three Phase Power

Model Numbers

ODP MODEL
R-30/60-460-LD

TEFC MODEL
R-30/60-460-LD/TEFC

Measurements & Specifications



Weight: 490 lbs.
Enclosure Size/Type: 2/ NEMA 3R
Base Size: 5

*Assembled, Tested, and mounted on steel base ready for installation.

Electrical Specifications & Service Requirements

Voltage Input: 460

Voltage Output: 460

Max. Single Phase Current Input: 154 A

Idle Current: 5.5 A

Inrush Current: 150A

Largest Motor Starting Capacity: 30HP

Total Running Horse Power Capacity: 60HP

200A Disconnect Switch
3/0 Wire (Recommended)

