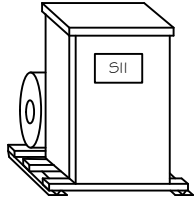




Steel Industries, Inc.

P.O. BOX 1461 2800 Hwy. 135 Kilgore, Texas 75662
 PH# (903) 984-3061
 FAX# (903) 984-1384

Application

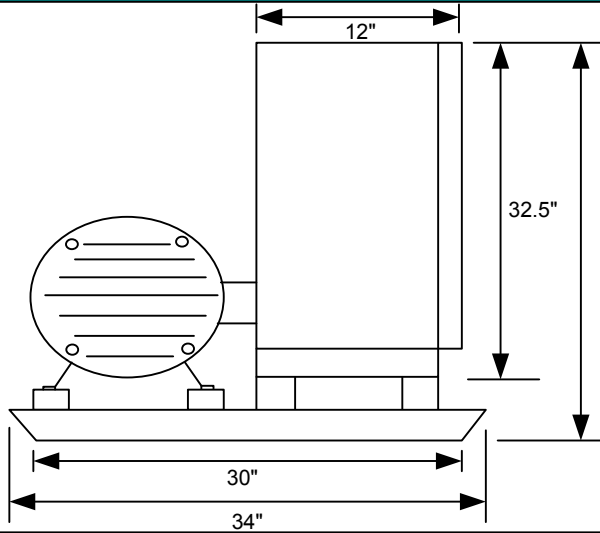


**H-A-S
 Rotary Phase Convertor**
**Converts
 Single Phase Power
 Into
 Three Phase Power**

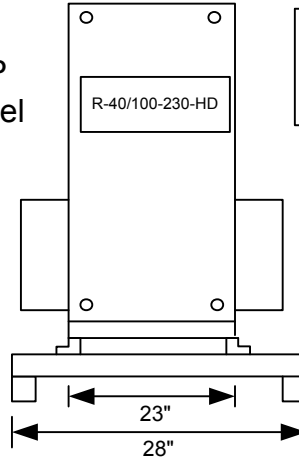
Model Numbers

ODP MODEL
R-40/100-230-HD
TEFC MODEL (2 Sections)
R-40/100-230-HD/TEFC

Measurements & Specifications



ODP
 Model



Weight: 690 lbs ODP, 950 lbs. TEFC.

Enclosure Size/Type: NEMA 3R

*TEFC model comes in two sections. Each is 24.5"H x 28"W x 21.5"D.

*Assembled, Tested, and mounted on steel base ready for installation.

Electrical Specifications & Service Requirements

Voltage Input: 230

Voltage Output: 230

Max. Single Phase Current Input: 496 A

Idle Current: 18 A

Inrush Current: 700 A

Largest Motor Starting Capacity: 40HP

Total Running Horse Power Capacity: 100HP

Note: Convertor should not run for long periods of time with no load.

650A Disconnect Switch
 (2) 500 MCM Wire (Recommended)

