



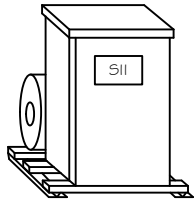
Steel Industries, Inc.

P.O. BOX 1461 2800 Hwy. 135 Kilgore, Texas 75662

PH# (903) 984-3061

FAX# (903) 984-1384

Application



H-A-S
Rotary Phase Convertor
 Converts
 Single Phase Power
 Into
 Three Phase Power

Model Numbers

ODP MODEL (Open Drip Proof)

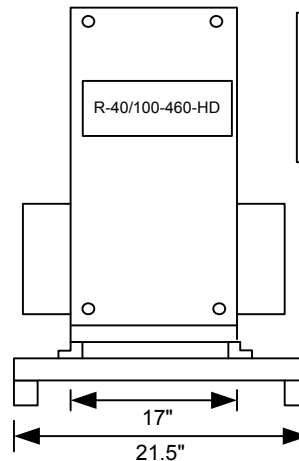
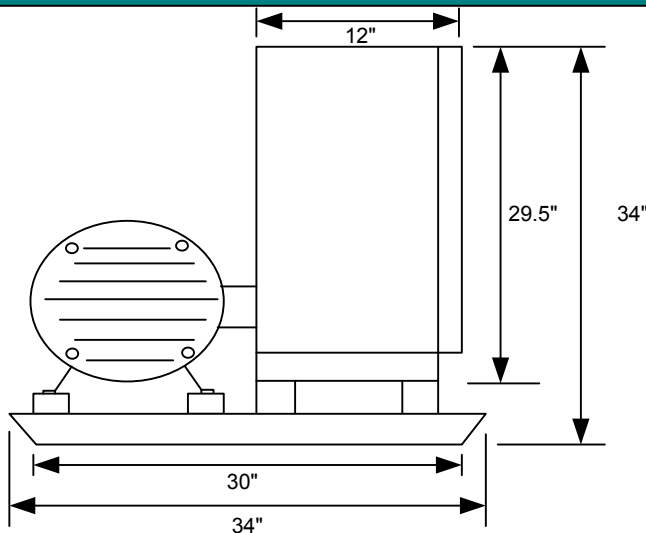
R-40/100-460-HD

TEFC MODEL (Totally Enclosed, Fan Cooled)

R-40/100-460-HD/TEFC

(Two Piece Unit)

Measurements & Specifications



Weight: 680 lbs. ODP 950lbs. TEFC

TEFC Dimensions: Two Pieces Each
 24.5" High x 28" Wide x 21.5" Deep

*Assembled, Tested, and mounted on steel base ready for installation.

Enclosure NEMA 3R

Electrical Specifications & Service Requirements

Voltage Input: 460

Voltage Output: 460

Max. Single Phase Current Input: 250 A

Idle Current: 9 A ODP 14 A TEFC

Inrush Current: 350 A ODP 360 A TEFC (180A & 180A)

Largest Motor Starting Capacity: 40HP

Total Running Horse Power Capacity: 100HP

Note: Convertor should not run for a long period of time with no load.

350A Disconnect Switch
 500 MCM Wire (Recommended)

