



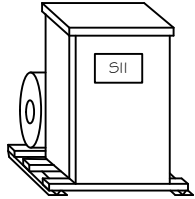
Steel Industries, Inc.

P.O. BOX 1461 2800 Hwy. 135 Kilgore, Texas 75662

PH# (903) 984-3061

FAX# (903) 984-1384

Application



**H-A-S
Rotary Phase Converter**
Converts
Single Phase Power
Into
Three Phase Power

Model Numbers

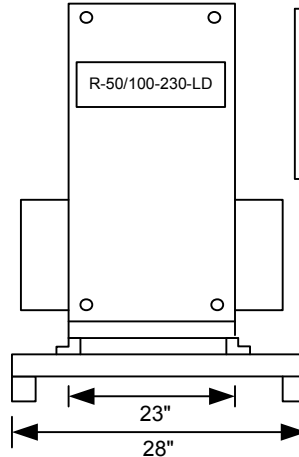
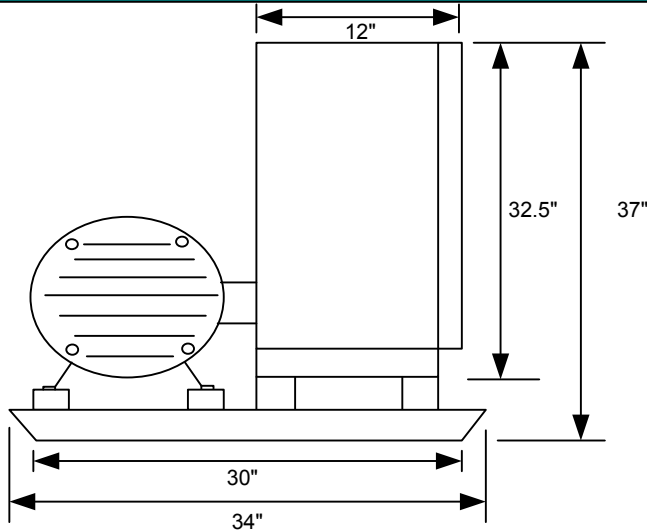
ODP MODEL

R-50/100-230-LD

TEFC MODEL (2 Sections)

R-50/100-230-LD/TEFC

Measurements & Specifications



Weight: 690 lbs. ODP, 950lbs. TEFC

Enclosure Size/Type: 4/ NEMA 3R

Base Size: Z

*Assembled, Tested, and mounted on steel base ready for installation.

Electrical Specifications & Service Requirements

Voltage Input: 230

Voltage Output: 230

Max. Single Phase Current Input: 496 A

Idle Current: 100 A

Inrush Current: 700 A

Largest Motor Starting Capacity: 50HP

Total Running Horse Power Capacity: 100HP

Note: Converter should not run for long periods of time with no load.

650A Disconnect Switch
(2) 500 MCM Wire (Recommended)

