



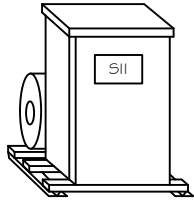
Steelman Industries, Inc.

P.O. BOX 1461 2800 Hwy. 135 Kilgore, Texas 75662

PH# (903) 984-3061

FAX# (903) 984-1384

Application



**H-A-S
Rotary Phase Converter**
Converts
Single Phase Power
Into
Three Phase Power

Model Numbers

ODP MODEL

R-60/150-460-HD

two piece unit

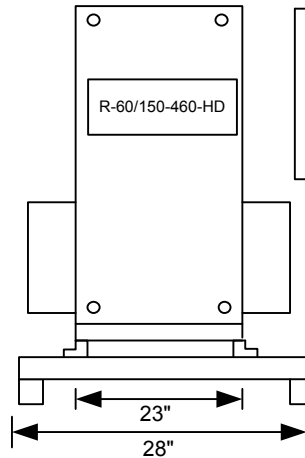
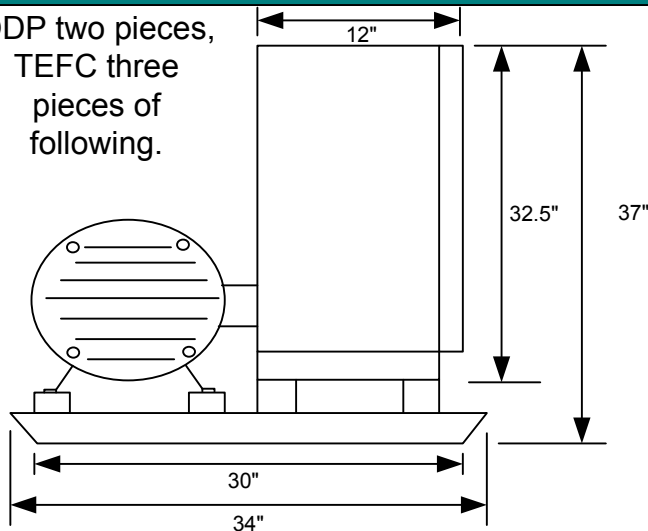
TEFC MODEL

R-60/150-460-HD/TEFC

three piece unit

Measurements & Specifications

ODP two pieces,
TEFC three
pieces of
following.



Weight: approx. 600 lbs. x 2
TEFC : approx. 600 lbs. x 3

Enclosure Size/Type: 6/ NEMA 3R

Base Size: 5

***Assembled, Tested, and
mounted on steel base
ready for installation.**

Electrical Specifications & Service Requirements

Voltage Input: 460

Voltage Output: 460

Max. Single Phase Current Input: 360 A

Idle Current: 14 A (ODP), 21 A (TEFC)

Inrush Current: 2 @ 280 A

Largest Motor Starting Capacity: 60HP

Minimum Load: 15HP

Total Running Horse Power Capacity: 150HP

Note: Converter should not run for long periods of time with no load.

600A Disconnect Switch
500 MCM Wire (Recommended)

