

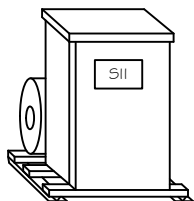


Steelman Industries, Inc.

P.O. BOX 1461 2800 Hwy. 135 Kilgore, Texas 75662

PH# (903) 984-3061
FAX# (903) 984-1384

Application



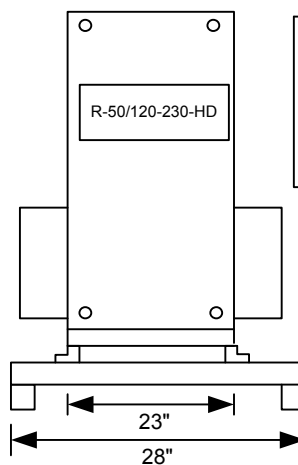
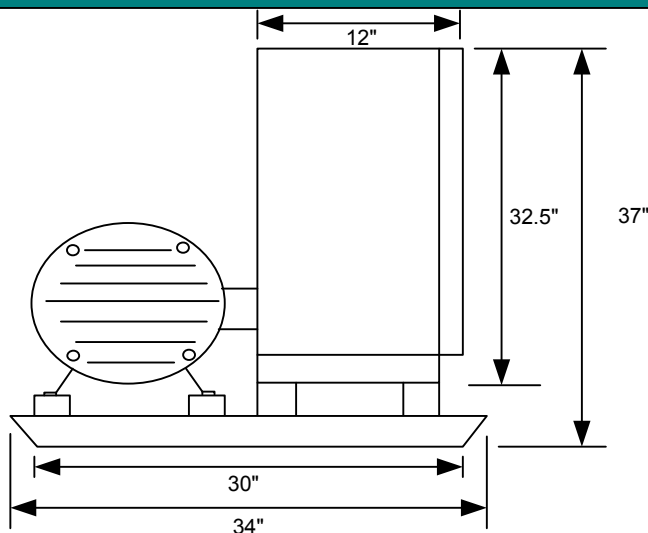
**H-A-S
Rotary Phase Converter**
Converts
Single Phase Power
Into
Three Phase Power

Model Numbers

ODP MODEL
R-60/120-230-LD

TEFC MODEL
R-60/120-230-LD/TEFC

Measurements & Specifications



Weight: 980 lbs.
Enclosure Size/Type: 4/ NEMA 3R
Base Size: Z

*Assembled, Tested, and mounted on steel base ready for installation.

*This rotary is a two piece unit, each having these approx. dim.

Electrical Specifications & Service Requirements

Voltage Input: 230

Voltage Output: 230

Max. Single Phase Current Input: 624 A

Idle Current: 17/17 A

Inrush Current: 780A

Largest Motor Starting Capacity: 50HP

Total Running Horse Power Capacity: 120HP

800A Disconnect Switch
(2) 500 MCM Wire (Recommended)

