



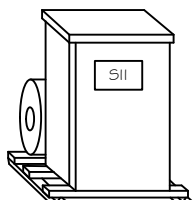
Steelman Industries, Inc.

P.O. BOX 1461 2800 Hwy. 135 Kilgore, Texas 75662

PH# (903) 984-3061

FAX# (903) 984-1384

Application



**H-A-S
Rotary Phase Convertor**
Converts
Single Phase Power
Into
Three Phase Power

ODP Model

R-60/120-460-LD

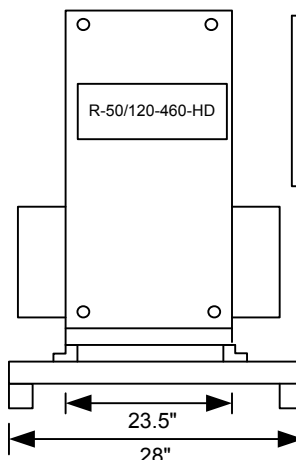
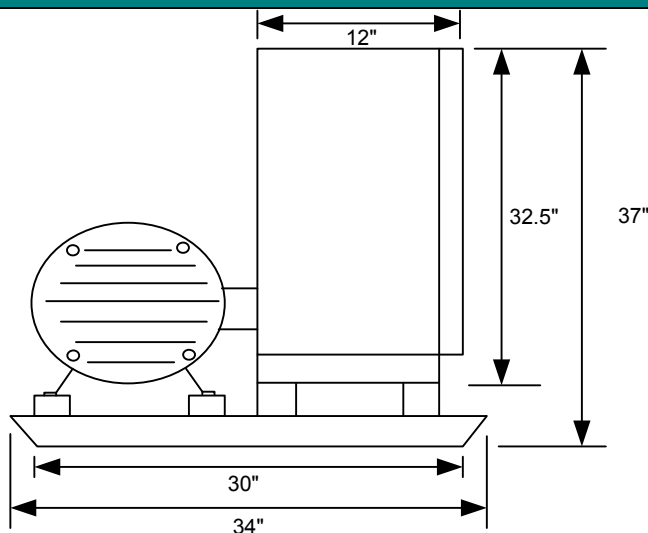
Two Piece Unit

TEFC Model

R-60/120-460-LD/TEFC

Two Piece unit.

Measurements & Specifications



Weight: 465 lbs. * 2 ODP
660 lbs. * 2 TEFC

Enclosure Size/Type: 3/ NEMA 3R

Base Size: Z

*Assembled, Tested, and mounted on steel base ready for installation.

Electrical Specifications & Service Requirements

Voltage Input: 460

Voltage Output: 460

Max. Single Phase Current Input: 300 A

Idle Current: 14 A

Inrush Current: 2 @ 220 A

Largest Motor Starting Capacity: 50HP

Total Running Horse Power Capacity: 120HP

Note: Convertor should not run for long periods of time with no load.

400A Disconnect Switch
300 MCM Wire (Recommended)

