



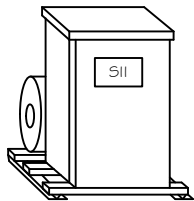
Steelman Industries, Inc.

P.O. BOX 1461 2800 Hwy. 135 Kilgore, Texas 75662

PH# (903) 984-3061

FAX# (903) 984-1384

Application



H-A-S
Rotary Phase Convertor
 Converts
 Single Phase Power
 Into
 Three Phase Power

Model Numbers

ODP MODEL (Open Drip Proof)

R-75/200-230-HD

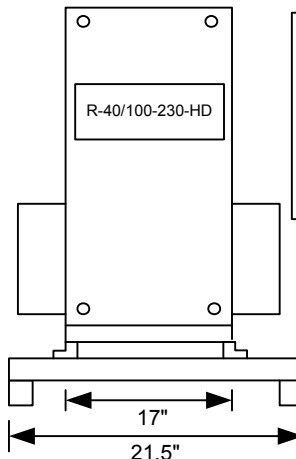
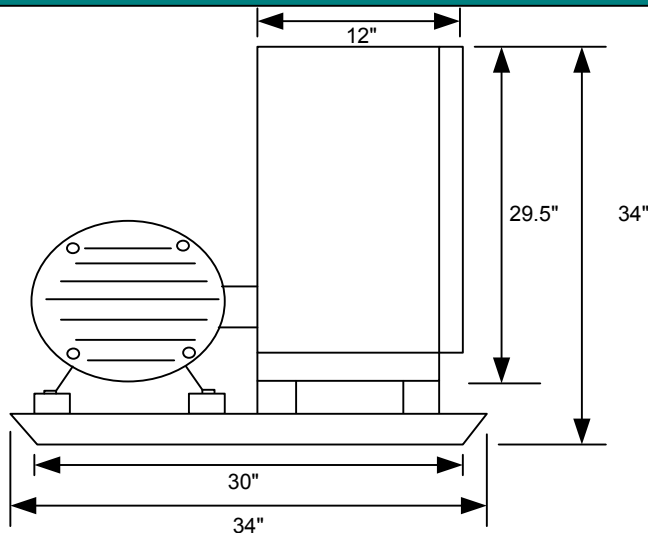
(Two Piece Unit)

TEFC MODEL (Totally Enclosed, Fan Cooled)

R-75/200-230-HD/TEFC

(Three Piece Unit)

Measurements & Specifications



Weight: 1380 lbs. ODP
1980lbs. TEFC

ODP Unit: Two pieces each at these dimensions.

TEFC Dimensions: Three Pieces each at these dimensions.

***Assembled, Tested, and mounted on steel base ready for installation.**

Electrical Specifications & Service Requirements

Voltage Input: 230

Voltage Output: 230

Idle Current: 36 A ODP 42 A TEFC

Inrush Current: 1400 A ODP 1320 A TEFC

Largest Motor Starting Capacity: 75HP

Total Running Horse Power Capacity: 200HP

Note: Convertor should not run for a long period of time with no load.

600A Disconnect Switch
 (2) 500 MCM Wire (Recommended)

