



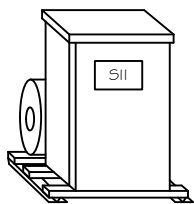
Steelman Industries, Inc.

P.O. BOX 1461 2800 Hwy. 135 Kilgore, Texas 75662

PH# (903) 984-3061

FAX# (903) 984-1384

Application



**H-A-S
Rotary Phase Convertor**
Converts
Single Phase Power
Into
Three Phase Power

ODP MODEL (Open Drip Proof)

R-75/200-460-HD

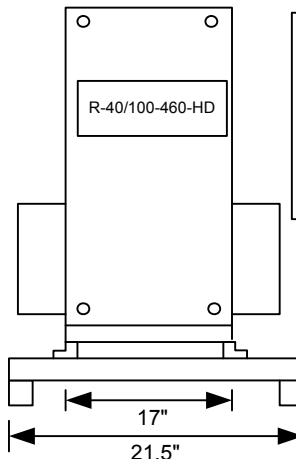
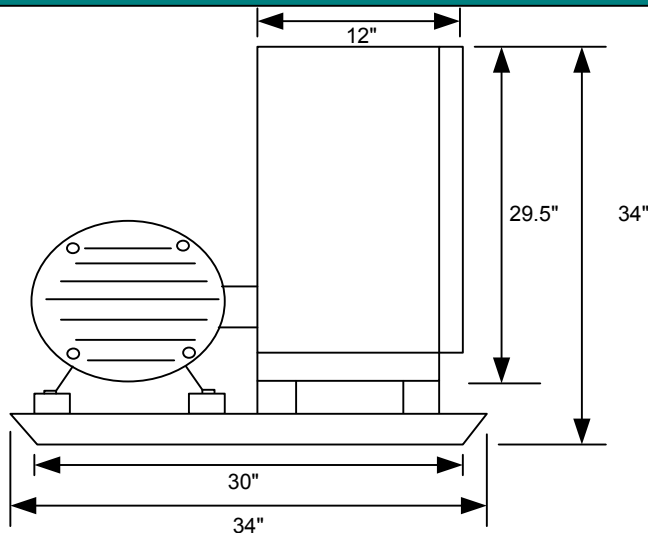
(Two Piece Unit)

TEFC MODEL (Totally Enclosed, Fan Cooled)

R-75/200-460-HD/TEFC

(Three Piece Unit)

Measurements & Specifications



Weight: 1380 lbs. ODP
1980lbs. TEFC

ODP Unit: Two pieces each at these dimensions.

TEFC Dimensions: Three Pieces each at these dimensions.

***Assembled, Tested, and mounted on steel base ready for installation.**

Electrical Specifications & Service Requirements

Voltage Input: 460

Voltage Output: 460

Max. Single Phase Current Input: 480 A

Idle Current: 18 A ODP 21 A TEFC

Inrush Current: 700 A ODP 660 A TEFC

Largest Motor Starting Capacity: 75HP

Total Running Horse Power Capacity: 200HP

Note: Convertor should not run for a long period of time with no load.

600A Disconnect Switch
(2) 500 MCM Wire (Recommended)

