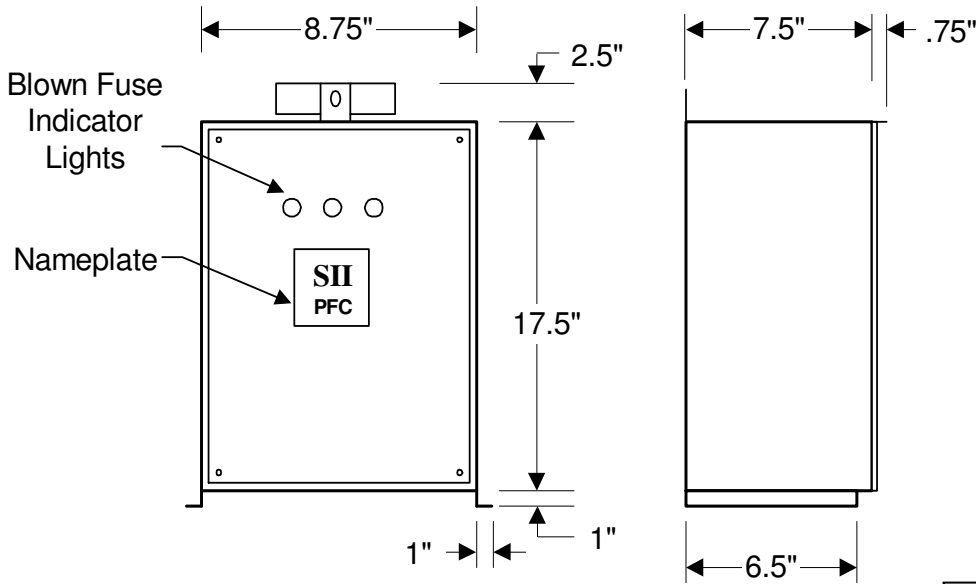
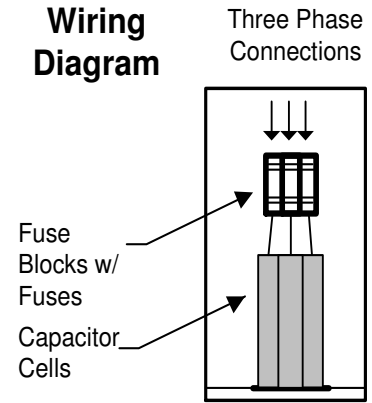


# STEELMAN POWER CAPACITORS SPECIFICATION SHEET



### Internal Wiring Diagram



**MODEL M007.0-240-FPL**  
**7.0 KVAR 240 VOLT Fused with pilot lights**  
**Three Phase 60 Hz NEMA 3R Enclosure**  
**Rated Current: 16.8 Amps**  
**Recommended Wire Size: 10 AWG**  
**APPROX. WEIGHT 25 LBS. EACH**

**Life Expectancy: 20 years**  
**Temperature: -40°C to +50°C**  
**Discharge Resistors: Included, will reduce residual voltage to less than 50 volts in one minute after removal from service.**  
**Pressure Sensitive Interrupter in each capacitor cell.**

**Self Clearing Design**

#### OPTIONS:

- \*Pigtail- 5' electrical cord ready for connection
- \*Built-In Contactor

Enclosures are rated NEMA 3R, Outdoor/Indoor.  
 Provisions for wall, pole, or floor mounting are included.

#### STEELMAN ADVANTAGE OPTION

480Volt, 70°C rated capacitors

**ENHANCES CAPACITOR  
LIFE & PERFORMANCE  
CHARACTERISTICS**

**TWO YEAR LIMITED WARRANTY!**



**STEELMAN INDUSTRIES, INC.**

2706 HWY. 135 N      P.O. BOX 1461      KILGORE, TEXAS 75662

PHONE: (903) 984-3061      FAX: (903) 984-1384