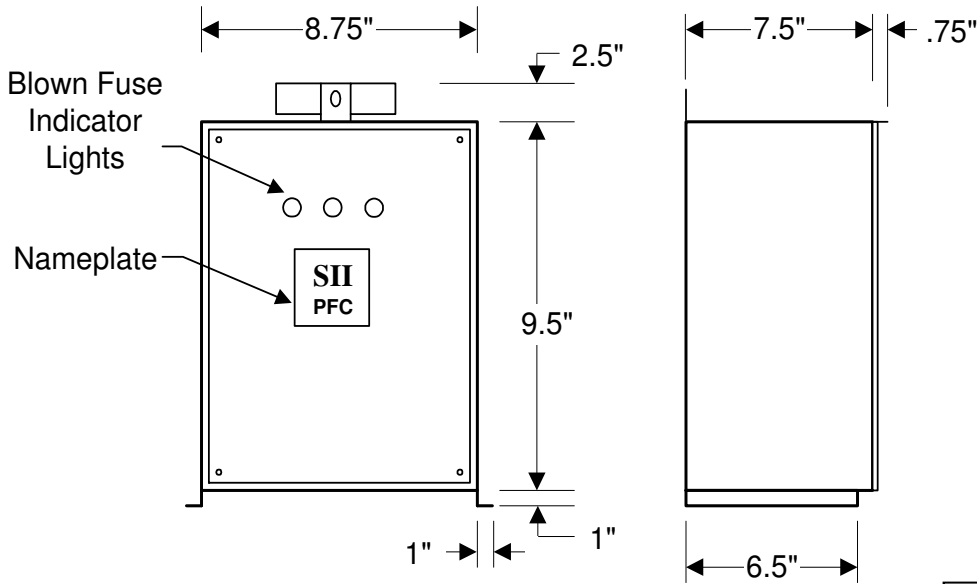
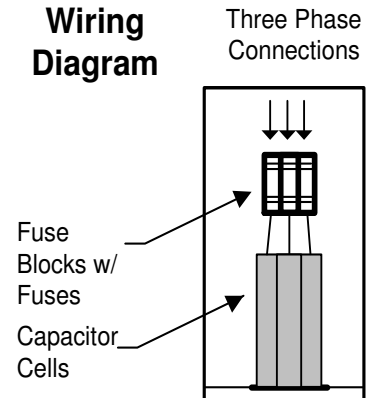


STEELMAN POWER CAPACITORS SPECIFICATION SHEET



Internal Wiring Diagram



MODEL M010.0-480-FPL

10 KVAR 480 VOLT Fused with Pilot Lights

Three Phase 60 Hz NEMA 3R Enclosure

Rated Current: 12.0 Amps

Recommended Wire Size: 12 AWG

APPROX. WEIGHT 14 LBS. EACH

Life Expectancy: 20 years

Temperature: -40°C to +50°C

Discharge Resistors: Included, will reduce residual voltage to less than 50 volts in one minute after removal from service.

Pressure Sensitive Interrupter in each capacitor cell.

Self Clearing Design

OPTIONS:

- *Pigtail- 5' electrical cord ready for connection
- *Built-In Contactor

Enclosures are rated NEMA 3R, Outdoor/Indoor. Provisions for wall, pole, or floor mounting are included.

STEELMAN ADVANTAGE OPTION

600Volt, 70°C rated capacitors

ENHANCES CAPACITOR LIFE & PERFORMANCE CHARACTERISTICS

TWO YEAR LIMITED WARRANTY!



STEELMAN INDUSTRIES, INC.

2800 HWY. 135 N P.O. BOX 1461 KILGORE, TEXAS 75662

PHONE: (903) 984-3061 FAX: (903) 984-1384