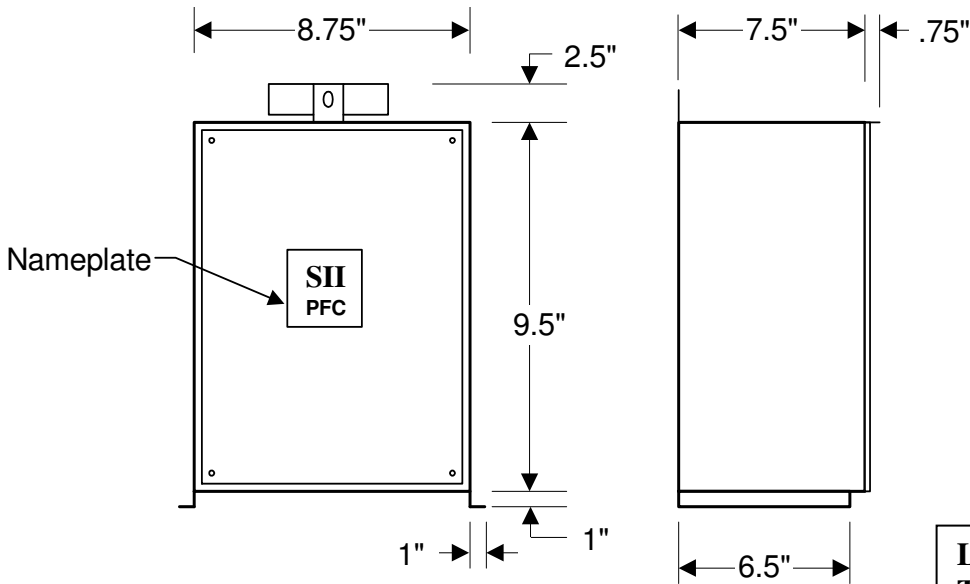
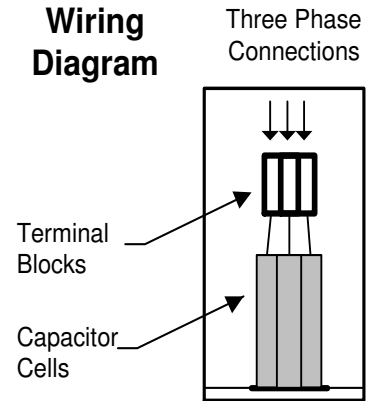


STEELMAN POWER CAPACITORS

SPECIFICATION SHEET



Internal Wiring Diagram



MODEL M012.0-480-NF
12 KVAR 480 VOLT Non-Fused
Three Phase 60 Hz NEMA 3R Enclosure
Rated Current: 14.4 Amps
Recommended Wire Size: 10 AWG
APPROX. WEIGHT 14 LBS. EACH

Life Expectancy: 20 years
Temperature: -40°C to +50°C
Discharge Resistors: Included, will reduce residual voltage to less than 50 volts in one minute after removal from service.
Pressure Sensitive Interrupter in each capacitor cell.

Self Clearing Design

OPTIONS:

- ◆ Built-In Contactor
- ◆ 3rd Leg Fusing
- ◆ Built-In Circuit Breaker

Enclosures are rated NEMA 3R, Outdoor/Indoor.
 Provisions for wall, pole, or floor mounting are included.

STEELMAN ADVANTAGE OPTION

480Volt rated capacitors
 ENHANCES CAPACITOR
 LIFE & PERFORMANCE
 CHARACTERISTICS

TWO YEAR LIMITED WARRANTY!



STEELMAN INDUSTRIES, INC.

2800 HWY. 135 N P.O. BOX 1461 KILGORE, TEXAS 75662
 PHONE: (903) 984-3061 FAX: (903) 984-1384