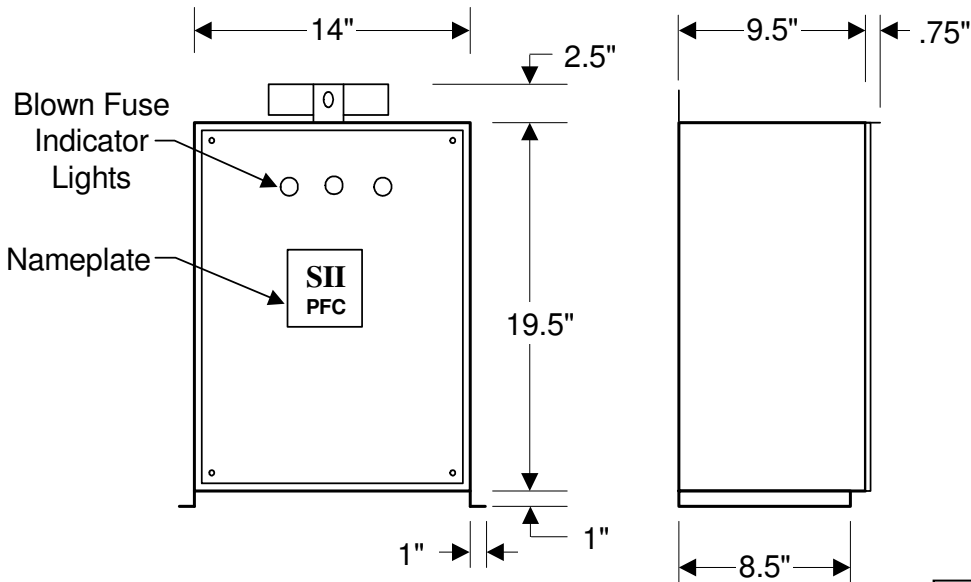
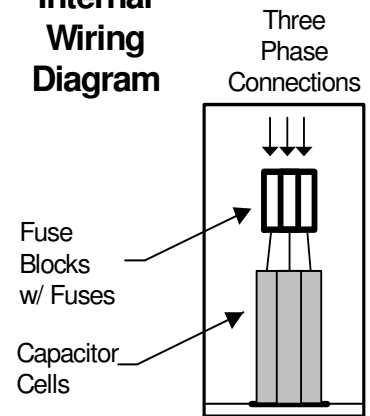


# STEELMAN POWER CAPACITORS SPECIFICATION SHEET



## Internal Wiring Diagram



**MODEL M018.0-240-FPL**  
**18 KVAR 240VOLT Fused with Pilot Lights**  
**Three Phase 60 Hz NEMA 3R Enclosure**  
**Rated Current: 43.3 Amps**  
**Recommended Wire Size: 6 AWG**  
**APPROX. WEIGHT 52 LBS. EACH**

### OPTIONS:

- ◆ Built-In Contactor
- ◆ Built-In Circuit Breaker
- ◆ Third Leg Fusing

**Life Expectancy:** 20 years  
**Temperature:** -40°C to +50°C  
**Discharge Resistors:** Included, will reduce residual voltage to less than 50 volts in one minute after removal from service.  
**Pressure Sensitive Interrupter in each capacitor cell.**

**Self Clearing Design**

Enclosures are rated NEMA 3R, Outdoor/Indoor.  
 Provisions for wall, pole, or floor mounting are included.

### STEELMAN ADVANTAGE OPTION

480Volt, 70°C rated capacitors

ENHANCES CAPACITOR  
 LIFE & PERFORMANCE  
 CHARACTERISTICS



**TWO YEAR LIMITED WARRANTY!**

**STEELMAN INDUSTRIES, INC.**

2706 HWY. 135 N P.O. BOX 1461 KILGORE, TEXAS 75662  
 PHONE: (903) 984-3061 FAX: (903) 984-1384