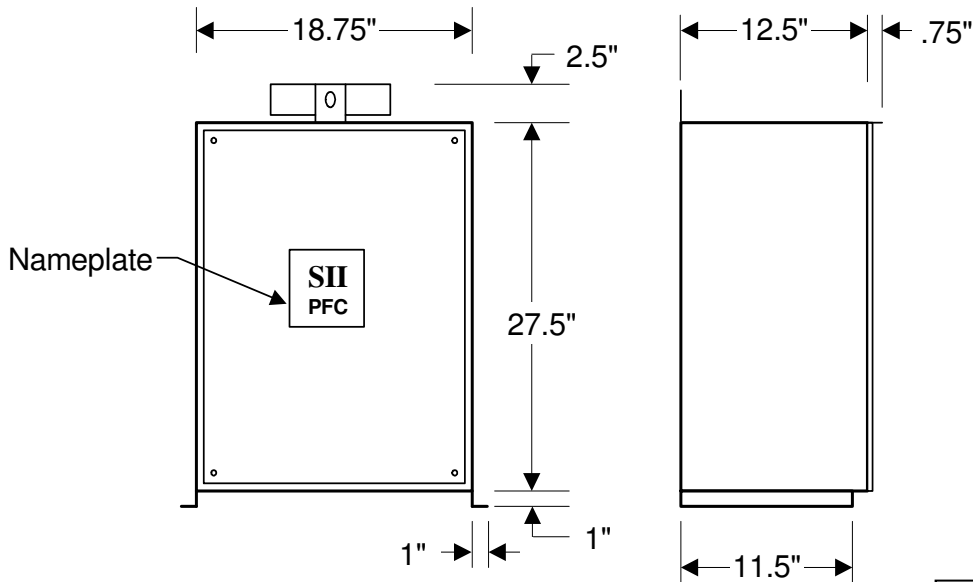
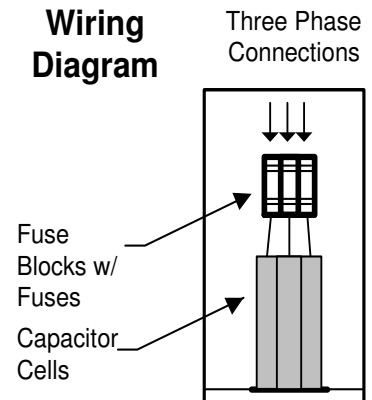


STEELMAN POWER CAPACITORS SPECIFICATION SHEET



Internal Wiring Diagram



MODEL M030.0-240-F
30 KVAR 240 VOLT Fused
Three Phase 60 Hz NEMA 3R Enclosure
Rated Current: 72.2 Amps
Recommended Wire Size: 3 AWG
APPROX. WEIGHT 70 LBS. EACH

OPTIONS:

- ◆ Circuit Breaker
- ◆ Built-In Contactor
- ◆ 3rd Leg Fusing

Life Expectancy: 20 years
Temperature: -40°C to +50°C
Discharge Resistors: Included, will reduce residual voltage to less than 50 volts in one minute after removal from service.
Pressure Sensitive Interrupter in each capacitor cell.

Self Clearing Design

STEELMAN ADVANTAGE OPTION

480Volt, 70°C rated capacitors

**ENHANCES CAPACITOR
LIFE & PERFORMANCE
CHARACTERISTICS**

Enclosures are rated NEMA 3R, Outdoor/Indoor.
Provisions for wall, pole, or floor mounting are included.

TWO YEAR LIMITED WARRANTY!



STEELMAN INDUSTRIES, INC.

2800 HWY. 135 N P.O. BOX 1461 KILGORE, TEXAS 75662
 PHONE: (903) 984-3061 FAX: (903) 984-1384