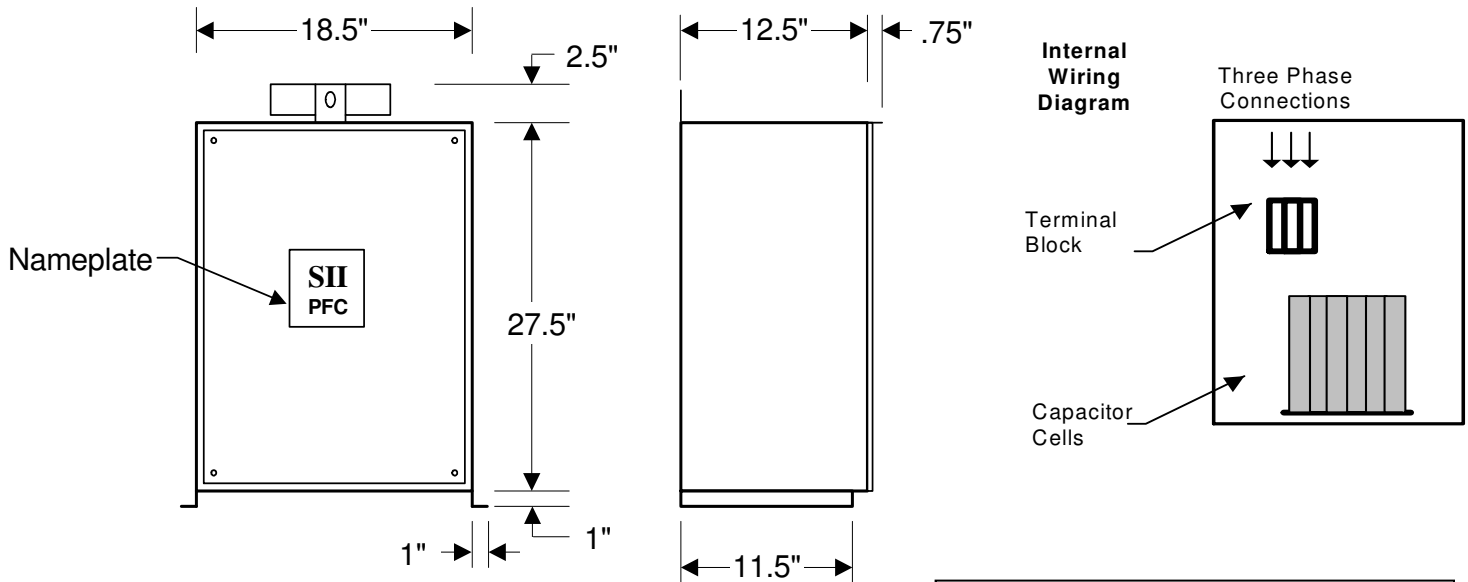


# STEELMAN POWER CAPACITORS SPECIFICATION SHEET



**MODEL M050.0-240-NF**  
**50 KVAR 240 VOLT Non Fused**  
**Three Phase 60 Hz NEMA 3R Enclosure**  
**Rated Current: 120 Amps**  
**Recommended Wire Size: 2/0 AWG**  
**APPROX. WEIGHT 87 LBS. EACH**

#### AVAILABLE OPTIONS:

- ◆ Built-In Contactor
- ◆ Built-In Circuit Breaker

**Note: dimensions may change with added options.**

Enclosures are rated NEMA 3R, Outdoor/Indoor.  
 Provisions for wall, pole, or floor mounting are included.

**Life Expectancy: 20 years**  
**Temperature: -40°C to +50°C**  
**Discharge Resistors: Included, will reduce residual voltage to less than 50 volts in one minute after removal from service.**  
**Pressure Sensitive Interrupter in each capacitor cell.**

**Self Clearing Design**

#### STEELMAN ADVANTAGE OPTION

480Volt, 70°C rated capacitors

**ENHANCES CAPACITOR  
LIFE & PERFORMANCE  
CHARACTERISTICS**

**TWO YEAR LIMITED WARRANTY!**



**STEELMAN INDUSTRIES, INC.**

2800 HWY. 135 N P.O. BOX 1461 KILGORE, TEXAS 75662  
 PHONE: (903) 984-3061 FAX: (903) 984-1384