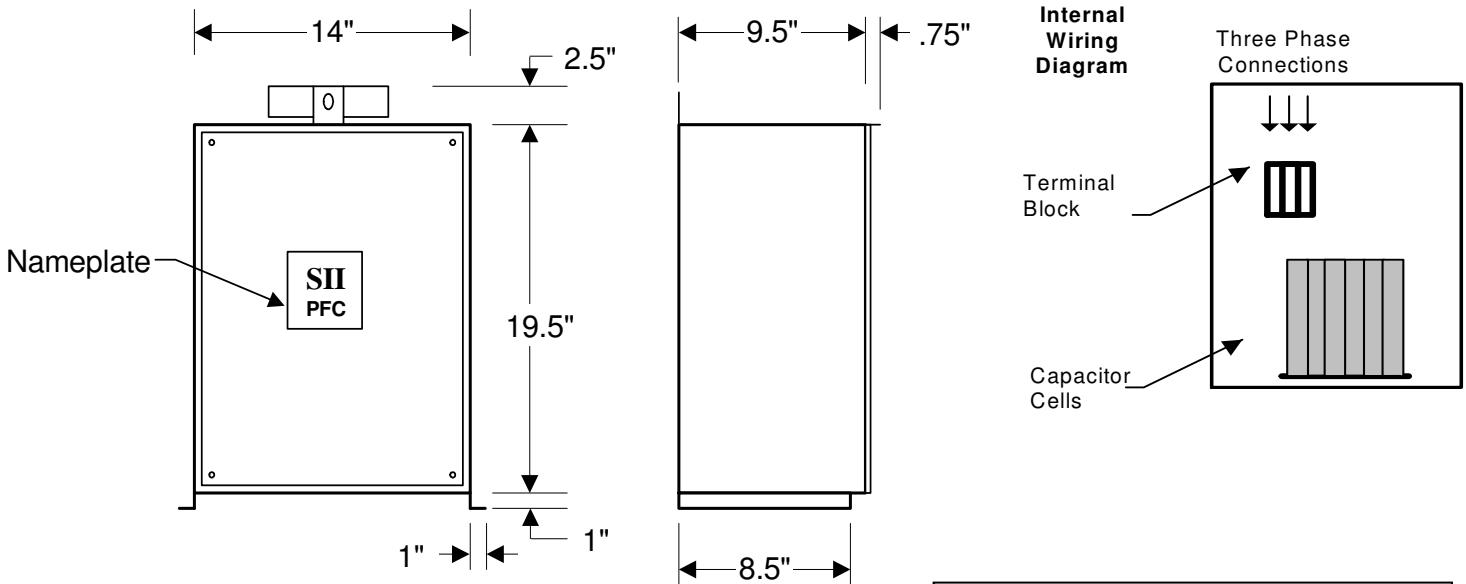


STEELMAN POWER CAPACITORS SPECIFICATION SHEET



MODEL M060.0-480-NF
60 KVAR 480 VOLT Non Fused
Three Phase 60 Hz NEMA 3R Enclosure
Rated Current: 72.2 Amps
Recommended Wire Size: 3 AWG
APPROX. WEIGHT 56 LBS. EACH

OPTIONS:

- ◆ Built-In Contactor
- ◆ 3rd Leg Fusing
- ◆ Built-In Circuit Breaker

Enclosures are rated NEMA 3R, Outdoor/Indoor.
 Provisions for wall, pole, or floor mounting are included.

Life Expectancy: 20 years
Temperature: -40°C to +50°C
Discharge Resistors: Included, will reduce residual voltage to less than 50 volts in one minute after removal from service.
Pressure Sensitive Interrupter in each capacitor cell.

Self Clearing Design

STEELMAN ADVANTAGE
OPTION

600Volt, 70°C rated capacitors

ENHANCES CAPACITOR
 LIFE & PERFORMANCE
 CHARACTERISTICS

TWO YEAR LIMITED WARRANTY!



STEELMAN INDUSTRIES, INC.

2800 HWY. 135 N P.O. BOX 1461 KILGORE, TEXAS 75662
 PHONE: (903) 984-3061 FAX: (903) 984-1384